

en	Original Instructions - Cordless drywall screwdriver	6
fr	Notice d'utilisation d'origine - Visseuse sans fil pour placoplâtre	18
es	Manual de instrucciones original - Taladro atornillador para pladur	29

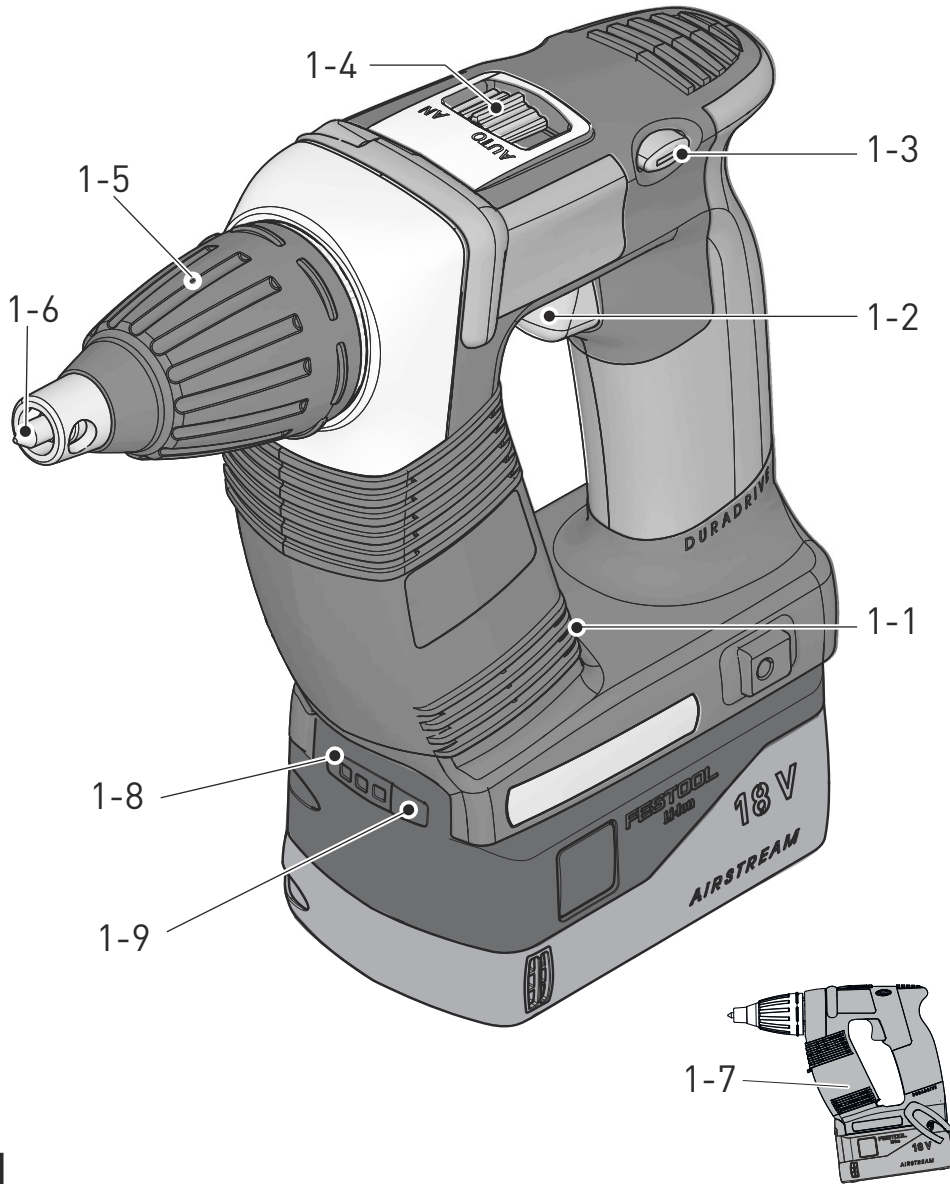


Read all instructions before using
Lire toutes les instructions avant de démarrer les travaux.
Lea y comprende todas las instrucciones antes de usar.



DWC 18-2500
DWC 18-4500








Contents

1	About this manual.....	6
2	Symbols.....	6
3	Safety warnings.....	7
4	Intended use.....	9
5	Technical data.....	10
6	Functional description.....	10
7	Commissioning.....	10
8	Settings.....	11
9	Tool holder, attachments.....	11
10	Working with the machine.....	12
11	Working instructions.....	14
12	Service and maintenance.....	16
13	Accessories.....	16
14	Environment.....	17







1 About this manual

Save these instructions

It is important for you to read and understand this manual. The information it contains relates to protecting **your safety** and **preventing problems**. The symbols below are used to help you recognize this information.

	DANGER	Description of imminent hazard and failure to avoid hazard will result in death.
	WARNING	Description of hazard and possible resulting injuries or death.
	CAUTION	Description of hazard and possible resulting injuries.
	NOTICE	Description of possible damage of the device or its surroundings.

2 Symbols

	Warning of general danger
	Warning of electric shock
	Read the operating manual and safety instructions.
	Wear ear protection.
	Wear protective gloves.
	Wear a dust mask.



Wear protective goggles.



Do not dispose of it with domestic waste.



Tip or advice



Handling instruction



Inserting the battery pack



Removing the battery pack



diameter



ϕ max. Max. chuck clamping

V volts

A amperes

Hz hertz



a.c. alternating current



d.c. direct current

n_0 no load speed

rpm revolutions per minute

min^{-1} revolutions per minute

min. minutes

Ah amps hour

kg kilograms

lb. pound

Wh watt hour

Nm Newton metre

mm millimetre



inch



CAUTION For use only with FESTOOL batteries BP 18

3 Safety warnings

3.1 General power tool safety warnings



WARNING! Read all safety warnings, instructions, illustrations and specifications provided with this power tool. Failure to follow all instructions listed below may result in electric shock, fire and/or serious injury.

Save all warnings and instructions for future reference.

The term "power tool" in the warnings refers to your mains-operated (corded) power tool or battery-operated (cordless) power tool.

1 WORK AREA SAFETY

- a. **Keep work area clean and well lit.** Cluttered or dark areas invite accidents.
- b. **Do not operate power tools in explosive atmospheres, such as in the presence of flammable liquids, gases or dust.** Power tools create sparks which may ignite the dust or fumes.
- c. **Keep children and bystanders away while operating a power tool.** Distractions can cause you to lose control.

2 ELECTRICAL SAFETY

- a. **Power tool plugs must match the outlet. Never modify the plug in any way. Do not use any adapter plugs with earthed (grounded) power tools.** Unmodified plugs and matching outlets will reduce risk of electric shock.
- b. **Avoid body contact with earthed or grounded surfaces, such as pipes, radiators, ranges and refrigerators.** There is an increased risk of electric shock if your body is earthed or grounded.
- c. **Do not expose power tools to rain or wet conditions.** Water entering a power tool will increase the risk of electric shock.
- d. **Do not abuse the cord. Never use the cord for carrying, pulling or unplugging the power tool. Keep cord away from heat, oil, sharp edges or moving parts.** Damaged or entangled cords increase the risk of electric shock.
- e. **When operating a power tool outdoors, use an extension cord suitable for outdoor use.** Use of a cord suitable for outdoor use reduces the risk of electric shock.
- f. **If operating a power tool in a damp location is unavoidable, use a residual current device (RCD) protected supply.** Use of an RCD reduces the risk of electric shock.

3 PERSONAL SAFETY

- a. **Stay alert, watch what you are doing and use common sense when operating a power tool. Do not use a power tool while you are tired or under the influence of drugs, alcohol or medication.** A moment of inattention while operating power tools may result in serious personal injury.
- b. **Use personal protective equipment. Always wear eye protection.** Protective equipment such as a dust mask, non-skid safety shoes, hard hat or hearing protection used for appropriate conditions will reduce personal injuries.
- c. **Prevent unintentional starting. Ensure the switch is in the off-position before connecting to power source and/or battery pack, picking up or carrying the tool.** Carrying power tools with your finger on the switch or energising power tools that have the switch on invites accidents.
- d. **Remove any adjusting key or wrench before turning the power tool on.** A wrench or a key left attached to a rotating part of the power tool may result in personal injury.
- e. **Do not overreach. Keep proper footing and balance at all times.** This enables better control of the power tool in unexpected situations.
- f. **Dress properly. Do not wear loose clothing or jewellery. Keep your hair and clothing away from moving parts.** Loose clothes, jewellery or long hair can be caught in moving parts.
- g. **If devices are provided for the connection of dust extraction and collection facilities, ensure these are connected and properly used.** Use of dust collection can reduce dust-related hazards.
- h. **Do not let familiarity gained from frequent use of tools allow you to become complacent and ignore tool safety principles.** A careless action can cause severe injury within a fraction of a second.

4 POWER TOOL USE AND CARE

- a. **Do not force the power tool. Use the correct power tool for your application.** The correct power tool will do the job better and safer at the rate for which it was designed.
- b. **Do not use the power tool if the switch does not turn it on and off.** Any power tool that cannot be controlled with the switch is dangerous and must be repaired.

- c. **Disconnect the plug from the power source and/or remove the battery pack, if detachable, from the power tool before making any adjustments, changing accessories, or storing power tools.** Such preventive safety measures reduce the risk of starting the power tool accidentally.
 - d. **Store idle power tools out of the reach of children and do not allow persons unfamiliar with the power tool or these instructions to operate the power tool.** Power tools are dangerous in the hands of untrained users.
 - e. **Maintain power tools and accessories. Check for misalignment or binding of moving parts, breakage of parts and any other condition that may affect the power tool's operation. If damaged, have the power tool repaired before use.** Many accidents are caused by poorly maintained power tools.
 - f. **Keep cutting tools sharp and clean.** Properly maintained cutting tools with sharp cutting edges are less likely to bind and are easier to control.
 - g. **Use the power tool, accessories and tool bits etc. in accordance with these instructions, taking into account the working conditions and the work to be performed.** Use of the power tool for operations different from those intended could result in a hazardous situation.
 - h. **Keep handles and grasping surfaces dry, clean and free from oil and grease.** Slippery handles and grasping surfaces do not allow for safe handling and control of the tool in unexpected situations.
- d. **Under abusive conditions, liquid may be ejected from the battery; avoid contact. If contact accidentally occurs, flush with water. If liquid contacts eyes, additionally seek medical help.** Liquid ejected from the battery may cause irritation or burns.
 - e. **Do not use a battery pack or tool that is damaged or modified.** Damaged or modified batteries may exhibit unpredictable behaviour resulting in fire, explosion or risk of injury.
 - f. **Do not expose a battery pack or tool to fire or excessive temperature.** Exposure to fire or temperature above 130 °C (265 °F) may cause explosion.
 - g. **Follow all charging instructions and do not charge the battery pack or tool outside the temperature range specified in the instructions.** Charging improperly or at temperatures outside the specified range may damage the battery and increase the risk of fire.

5 BATTERY TOOL USE AND CARE

- a. **Recharge only with the charger specified by the manufacturer.** A charger that is suitable for one type of battery pack may create a risk of fire when used with another battery pack.
- b. **Use power tools only with specifically designated battery packs.** Use of any other battery packs may create a risk of injury and fire.
- c. **When battery pack is not in use, keep it away from other metal objects, like paper clips, coins, keys, nails, screws or other small metal objects, that can make a connection from one terminal to another.** Shorting the battery terminals together may cause burns or a fire.

6 SERVICE

- a. **Have your power tool serviced by a qualified repair person using only identical replacement parts.** This will ensure that the safety of the power tool is maintained.
- b. **Never service damaged battery packs.** Service of battery packs should only be performed by the manufacturer or authorized service providers.
- c. **Only use original Festool parts for repair and maintenance.** The use of incompatible accessories or spare parts can result in electric shocks or other injuries.

3.2 Machine-specific safety notices

- **Hold the power tool by insulated gripping surfaces, when performing an operation where the fastener may contact hidden wiring.** Fasteners contacting a "live" wire may make exposed metal parts of the power tool "live" and could give the operator an electric shock.
- **Use appropriate detection devices to look for any hidden supply lines or consult your local utility company.** If the insertion tool makes contact with live cables, it can result in fire and electric shock. Damage to a gas pipe can lead to an explosion. Penetration of a water pipe can result in damage to property.



Wear suitable personal protective equipment: Ear protection, safety goggles, a dust mask for work that generates dust, and protective gloves when working with raw materials and when changing tools.



CAUTION! Power tool can jam and cause sudden kickback! Switch off immediately!

- **Hold the power tool firmly in your hand. Make sure the speed is adjusted correctly when screwdriving. Be prepared for a high reaction torque,** which may cause the power tool to turn and possibly lead to injury.
- **Do not use the power tool in the rain or in damp surroundings.** Moisture in the power tool may cause a short circuit and fire.
- Do not lock the on/off switch in place permanently.
- Connecting the magazine attachment and drywall screwdriver results in a tool for which the safety warnings and instructions of the drywall screwdriver apply.
- **Do not use power supply units or third-party battery packs to operate cordless power tools. Do not use third-party chargers to charge the battery packs.** The use of accessories not expressly authorised by the manufacturer can result in electric shocks and/or serious accidents.

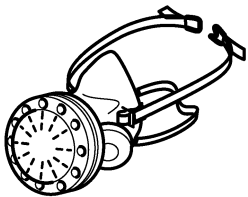
Follow the operating manual for the charger and the battery pack.

3.3 Health hazard by dust



WARNING! various dust created by power sanding, sawing, grinding, drilling and other construction activities contains chemicals known (to the State of California) to cause cancer, birth defects or other reproductive harm. Some examples of these chemicals are:

- lead from lead-based paints,
- crystalline silica from bricks and cement and other masonry products, and
- arsenic and chromium from chemically treated lumber.



The risk from these exposures varies, depending on how often you do this type of work. To reduce your exposure to these chemicals: work in a well ventilated

area, and work with approved safety equipment, such as dust masks that are specially designed to filter out microscopic particles. Wash hands after handling.



WARNING

TO REDUCE THE RISK OF INJURY, USER MUST READ INSTRUCTION MANUAL.

4 Intended use

Drywall screwdriver suitable for the following screwdriving tasks:

DWC 18-2500

- Screwdriving gypsum fibre board to metal or wooden constructions using drywall screws with milling ribs
- Screwdriving chipboard/OSB to wooden constructions with wood screws and chipboard screws up to a diameter of 5 mm (3/16")

DWC 18-4500

- Screwdriving plaster boards onto metal profile bars (≤ 0.88 mm (1/32")) using drywall screws with a fine thread
- Screwdriving plaster boards onto metal profile bars (≤ 2.25 mm (3/32")) using drywall screws with a drill point
- Screwdriving plaster boards to wooden constructions using drywall screws with a coarse thread

This power tool is suitable for use with BP Festool battery packs of the same voltage class.



The user is liable for damage and accidents caused by improper and non-intended use; this also includes damage and wear caused by continuous industrial operation.

5 Technical data

Cordless drywall screwdrivers	DWC 18-2500	DWC 18-4500
Motor voltage	18 V	18 V
No-load speed*	0–2500 min ⁻¹	0–4500 min ⁻¹
Torque soft/hard	7/18 Nm	5/14 Nm
Chuck	1/4" DIN 3126/ISO 1173	1/4" DIN 3126/ISO 1173
Max. workable screw length	55 mm (2-3/16")	55 mm (2-3/16")
Weight (incl. battery pack and magazine attachment) as per EPTA procedure 01:2014	4.4 lbs (2 kg)	
Weight excl. battery pack	2.6 lbs (1.2 kg)	
Weight excl. battery pack, incl. depth stop	2.9 lbs (1.3 kg)	
Weight excl. battery pack, incl. magazine attachment	3.5 lbs (1.6 kg)	

* Speed values based on fully charged battery pack.

6 Functional description

- [1-1] Bit store
- [1-2] On/off switch
- [1-3] Rotational direction switch
- [1-4] AUTO/MAN selector switch
- [1-5] Depth stop
- [1-6] Bit
- [1-7] Insulated gripping surfaces (grey shaded area)
- [1-8] Capacity display button on battery pack
- [1-9] Capacity indicator

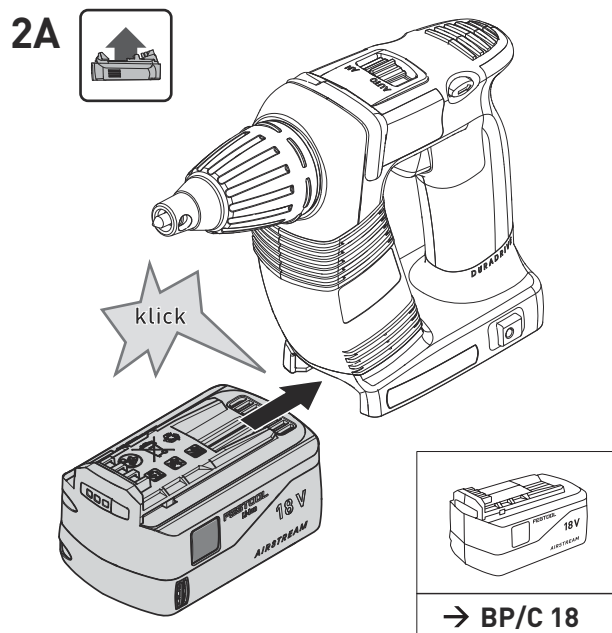
Accessories shown or described are not always included in the scope of delivery.

The pictures for the functional description are on a fold-out page at the beginning of the instruction manual. While reading the manual you can fold out the page for comparison and quick reference.

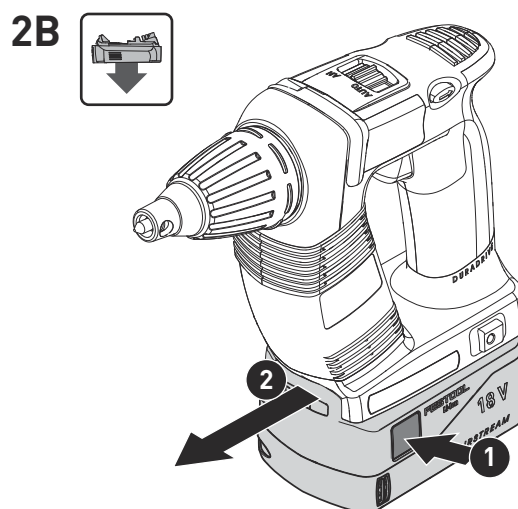
7 Commissioning

7.1 Changing the battery pack

Inserting the battery pack [2A]







Removing the battery pack [2B]




The battery pack is ready to use straight out of the box and can be charged at any time.

7.2 Capacity indicator

The capacity display [1-8] indicates the charge of the battery pack for approx. 2 seconds after the button [1-9] is pressed:

	70–100%
	40–70%
	15–40%
	< 15%*

* **Recommendation:** Charge the battery pack before any further use.

 Further information about the battery pack and charger can be found in the corresponding operating manual.

8 Settings



CAUTION

Risk of injury

- ▶ Only adjust the settings when the power tool is switched off.

8.1 Changing direction of rotation [1-3]

- Switch to the left = clockwise rotation
- Switch to the right = counterclockwise rotation

9 Tool holder, attachments



WARNING

Risk of injury, electric shock

- ▶ Always disconnect the battery pack before any type of work on the machine!

9.1 Bit holder

The bit holder enables the operator to change drill bits quickly.



CAUTION

Risk of injury from hot and sharp tool

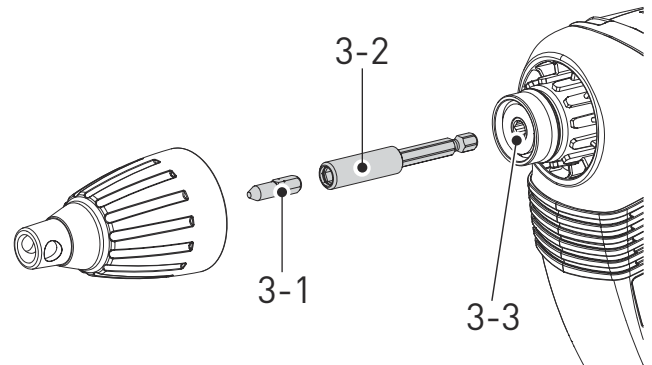
- ▶ Do not use any blunt or faulty tools.
- ▶ Wear protective gloves.

Attaching the bit holder

- ▶ Move the switch [1-4] to the MAN position.
- ▶ Push the bit holder [3-2] into the tool holder [3-3] until it clicks into place.
- ▶ Place the bit [3-1] in the holder.
- ▶ Then affix the depth stop to the transmission housing, as described in section .

3a

MAN



Removing the bit holder

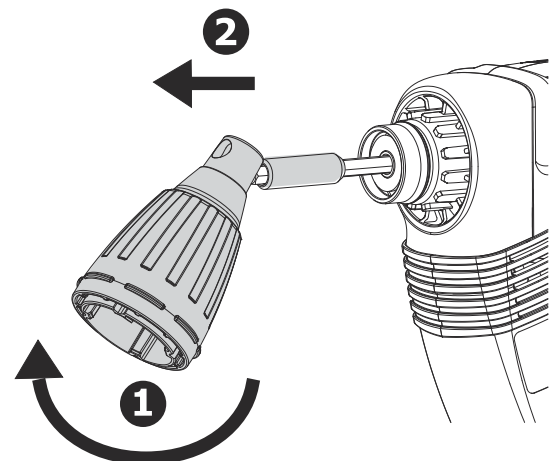
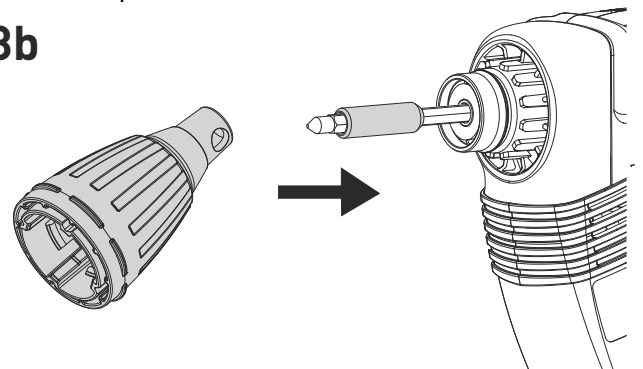
- ▶ Take out the depth stop as described in section .
- ▶ Remove the bit holder from the tool holder by pulling firmly.

9.2 Changing the bit

To change the bit [1-6], you can use the depth stop [1-5].



- ▶ To do this, place the depth stop on the bit as shown in figure [3b].
- ▶ The bit can be taken out by tilting the depth stop with the bit, while pulling at the same time.
- ▶ Then place the new bit in the bit holder.

3b

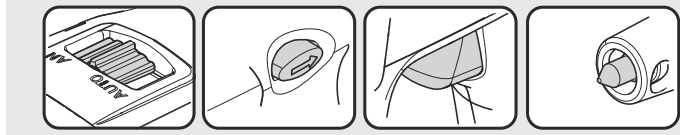


10 Working with the machine

10.1 Switching on/off [1-2]

-  The tool is not started by pressing the switch [1-2] alone – **not a tool fault!**
-  Once the screw is driven to the desired depth, the tool switches off automatically.

There are numerous ways to switch the tool on:



[1-4] [1-3] [1-2] [1-6]

a)	MAN	CLOCKWISE	PRESS	PRESS
b)	AUTO	ANTI-CLOCKWISE	-	PRESS
c)	-	ANTI-CLOCKWISE	PRESS	-

a)

- ▶ Set the tool's rotational direction to clockwise using the right/left switch [1-3].
- ▶ Move the selector switch [1-4] to the MAN position.
- ▶ To switch the tool on, actuate the switch [1-2] and at the same time, press on the screw with the drill bit.

By pressing on the switch [1-2], the speed can be infinitely adjusted.

b)


- ▶ Set the tool's rotational direction to clockwise using the right/left switch [1-3].
- ▶ Move the selector switch [1-4] to the AUTO position.
- ▶ To activate the tool, press on the screw with the drill bit.


It is not necessary to press the switch [1-2]. The top speed is set automatically.

c)

- ▶ Set the tool's rotational direction to anti-clockwise using the right/left switch [1-3].
- ▶ Switch the tool on using the switch [1-2]. The MAN/AUTO selector switch [1-4] is in either position.

By pressing on the switch [1-2], the speed can be infinitely adjusted.

-  The drywall screwdriver rotates anti-clockwise by pressing on the switch [1-2] only, without also having to press on the bit.

-  To unscrew screws fully, the depth stop does therefore not need to be removed.

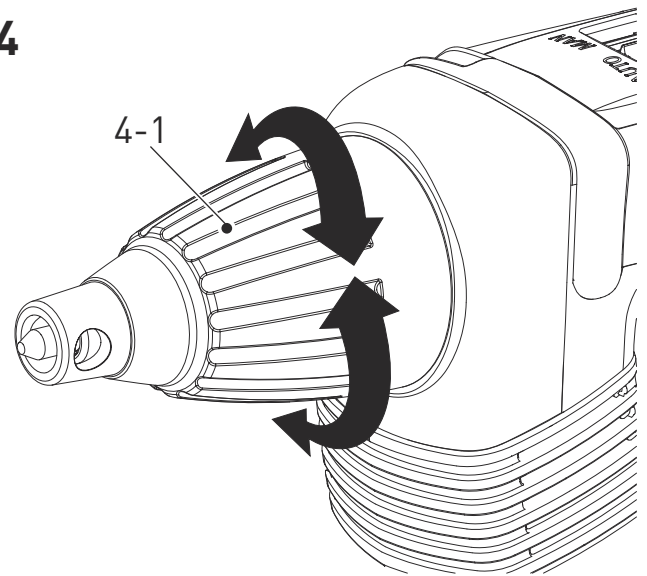
10.2 Depth stop

Turning on the depth stop [4-1] sets the screwing depth, as shown in figure [4]. The setting is accurate to approx. ± 0.1 mm.

- | | |
|------------------------|-----------------------------------|
| Anticlockwise rotation | Screw is countersunk further out. |
| Clockwise rotation | Screw is countersunk further in. |

Once the depth setting is made, drive in a test screw then, if necessary, correct the depth.

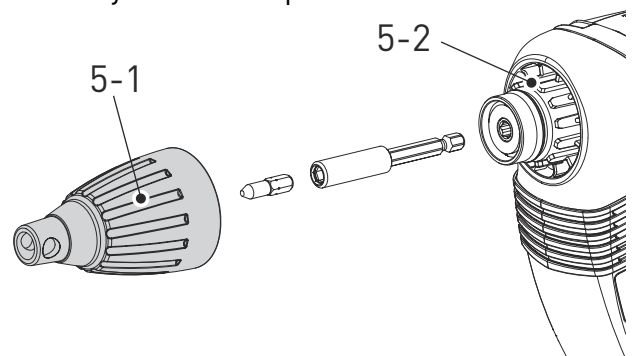
4



Attaching the depth stop

- ▶ Place the depth stop [5-1] on the transmission housing [5-2].
- ▶ Then, apply pressure until the depth stop audibly clicks into place.

5

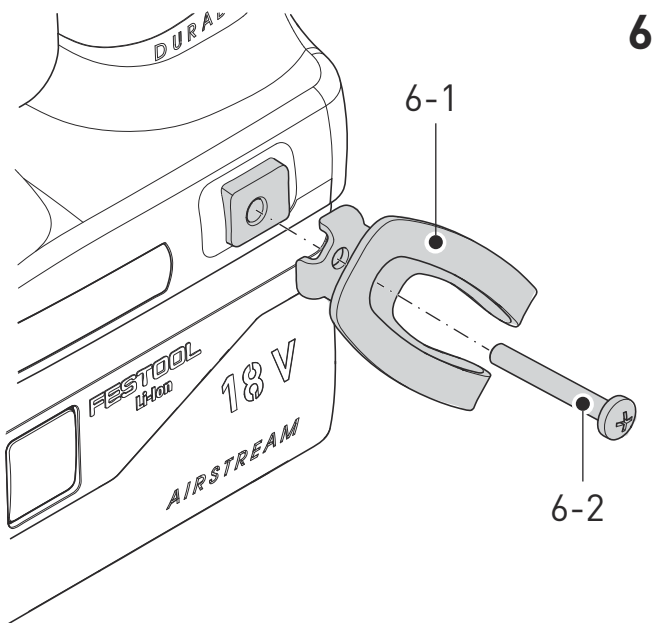


Removing the depth stop

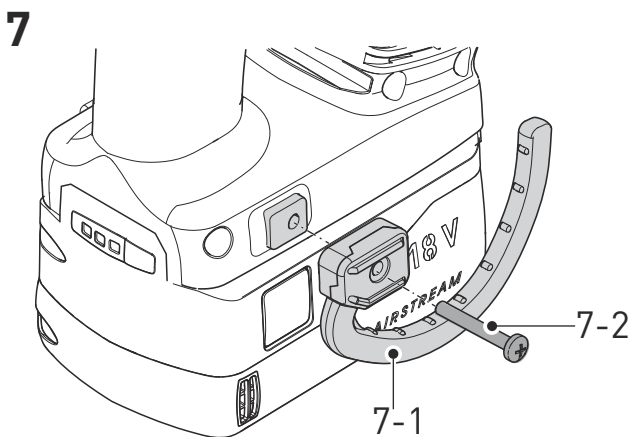
- ▶ Take the depth stop out of the transmission housing by pulling firmly.

10.3 Frame hook and belt clip

The belt clip [6-1] can be used to attach the tool to working clothes temporarily – it can be affixed to the left or right-hand side of the tool using a screw [6-2], making it suitable for right-handed and left-handed operators – see figure [6].



The tool also has a hook [7-1], by which the tool can be hung, as required. It can be affixed to the left or right-hand side of the housing using the screw [7-2] – see figure [7].



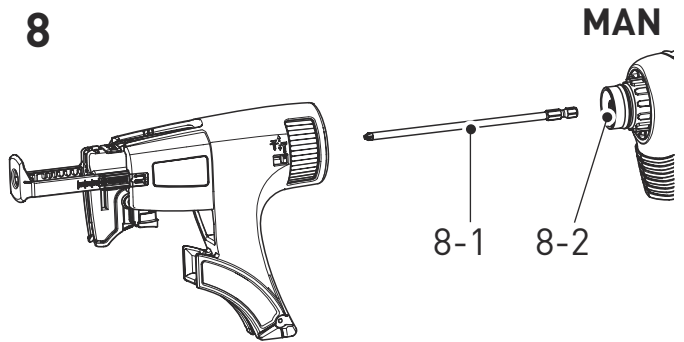
10.4 Magazine attachment

The magazine attachment enables the operator to work continuously without unnecessary pauses.

Fitting the magazine attachment

- ▶ Remove the depth stop [5-1] on the bit holder [3-2] using the bit, as described in section 9.
- ▶ Move the selector switch [1-4] to the MAN position.
- ▶ Push the long bit [8-1] into the tool holder [8-2] until it clicks into place.

- ▶ Then affix the magazine attachment to the transmission housing. The magazine attachment must audibly click into place.
- ▶ The magazine attachment can be positioned at 30° increments.

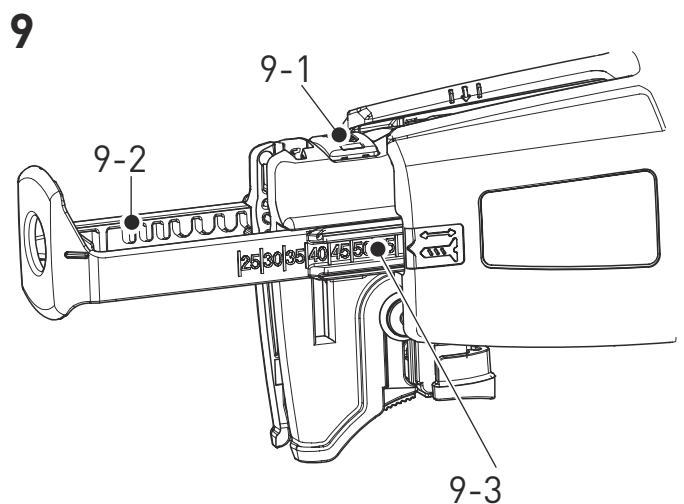


Removing the magazine attachment

- ▶ Take the magazine attachment out of the transmission housing by pulling firmly.

Adjusting the screw length

- ▶ Pressing on the button [9-1] slides the depth stop [9-2] in or out, so that it can be adjusted to the required screw length. *The screw length setting is visible on the sides of the depth stop [9-3].*



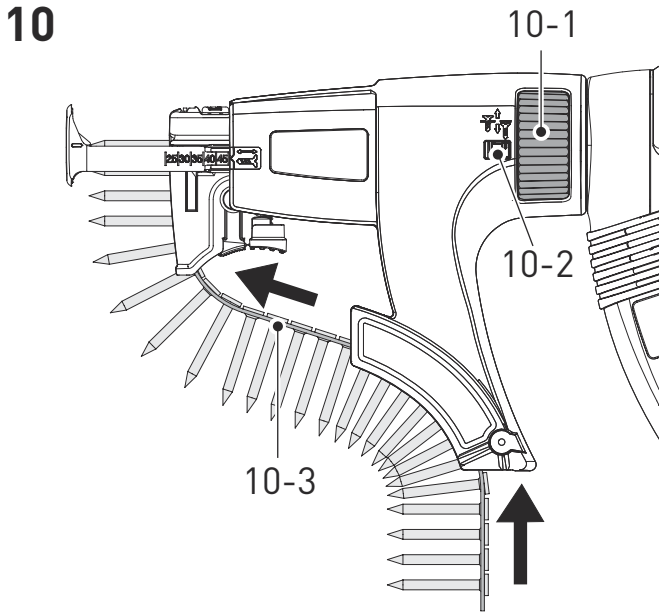
Inserting collated screws

- ▶ Firstly, draw the belt of collated screws [10-3] through the lower magazine guide and then thread them into the carriage guide until a screw clicks into the working position. Make sure that the screws are correctly positioned and secure by pulling gently on the belt of collated screws. Check that the first screw is lined up in the screwing axis – see figure [10].
- ▶ Use the adjusting wheel [10-1] to set the required insertion depth.
- ▶ Clockwise rotation will countersink the screws further in, while anticlockwise rotation will countersink the screws further out.

The current setting can be read off the pre-setting display **[10-2]**

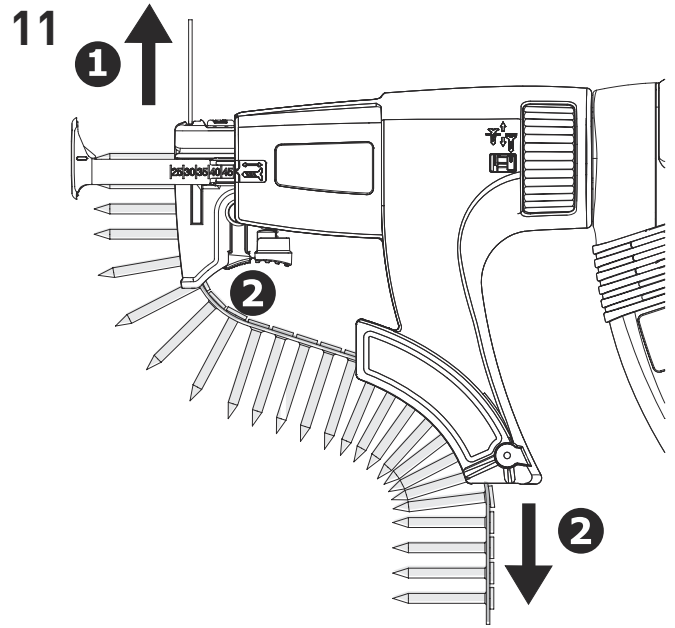
Once the setting is made, drive in a test screw, then, if necessary, correct the depth setting using the adjusting wheel **[10-1]**. Each setting adjustment shifts the stop by ± 0.1 mm.

i We recommend screwdriving in the automatic mode – see section 10.1 b).



Removing collated screws

- Remove the collated screws by pulling upwards once (figure **[11] ①**) or by engaging the transport lever at the same time as pulling the collated screws downwards (figure **[11] ②**).



11 Working instructions

- The magazine attachment must not be held in the area of the depth stop.
- Each screwdriving process must be completed in full. Interrupting a screwdriving process or applying pressure when screwdriving can cause the tool to malfunction.
- The collated screws must only be changed when the tool is at a standstill.
- The magazine attachment must under no circumstances be used in any way other than that described in this operating manual.
- Use only original screwdriver bits.
- Use only original collated screws.
- The collated screws must always be kept in their original packing.
- Always work at right angles to the board that is being affixed.

11.1 Magazine attachment maintenance

The magazine attachment is essentially maintenance-free. After an extensive period of use, however, it is recommended to clean it with compressed air.

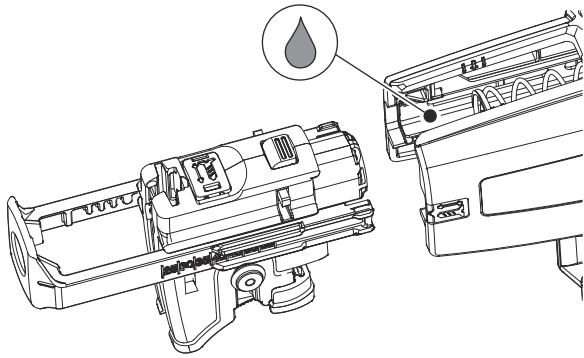
The magazine attachment can be lubricated around the area of the carriage guide – see figure **[12]**.

For the purposes of cleaning, the magazine attachment can be dismantled as described below.

Prior to cleaning, remove the collated screws from the magazine as described in section "Removing collated screws".

Take the magazine attachment out of the dry-wall screwdriver.

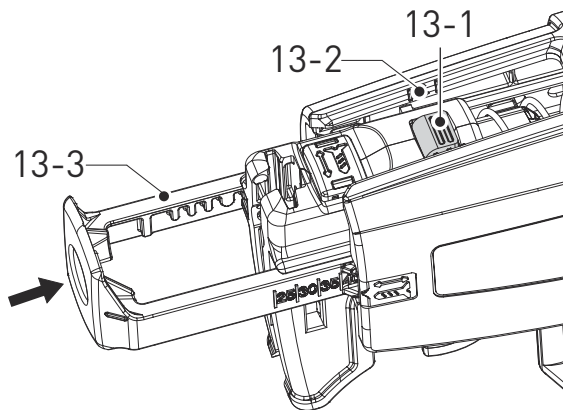
12



Removing the carriage

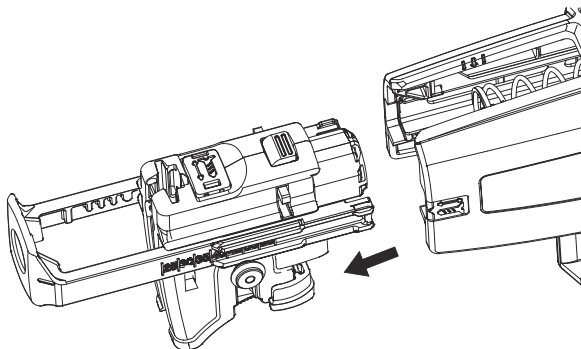
- ▶ Push the depth stop **[13-3]** in to the housing as far as it will go, until the locking button **[13-1]** is level with the marking for carriage removal **[13-2]** – see figure **[13]**.

13



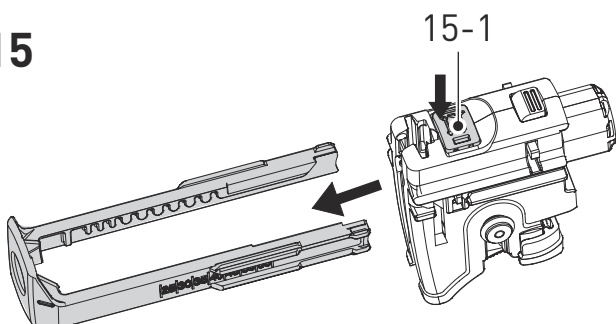
- ▶ Press the locking button **[13-1]** and at the same time pull the carriage out of the magazine – see figure **[14]**.

14



- ▶ Push the button **[15-1]** and at the same time unscrew the depth stop – see figure **[15]**.

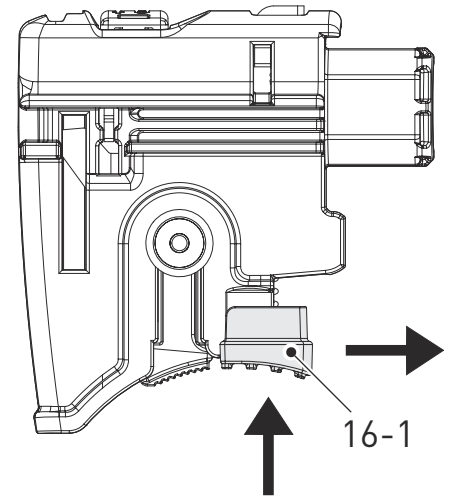
15



Removing the transport lever

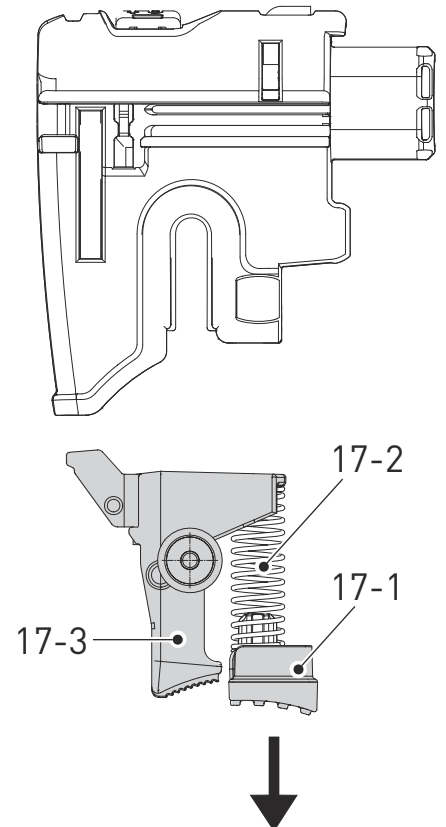
- ▶ Push the button **[16-1]** and at the same time slide in the direction of the arrow – see figure **[16]**.

16



- ▶ Remove the released button **[17-1]** (figure) together with the transport lever **[17-3]** and the spring **[17-2]** from the carriage (figure **[17]**).

17



- ▶ Clean the individual parts, replace faulty or worn parts and then reassemble in reverse order.

! When reassembling the transport lever in the carriage, ensure the spring **[17-2]** is positioned correctly within the transport lever. Incorrect assembly can prevent the collated screws from being transported properly.

11.2 Acoustic warning signals

Acoustic warning signals sound and the machine switches off in the following operating states:



peep — —

Battery flat or machine overloaded.

- Change the battery.
- Place the machine under reduced stress.



peep peep —

Machine is overheating.

- You must allow the machine to cool before using again.



peep peep peep

Lilon battery pack is faulty or has overheated.

- Once the battery pack has cooled, perform a functional check using the charger.

12 Service and maintenance



WARNING

Risk of injury, electric shock

- Always disconnect the battery pack from the machine before any cleaning or maintenance!



WARNING

Any maintenance or repair work that requires opening of the motor or gear housing should only be carried out by an authorised Customer Service Centre (name supplied by your dealer)!

- Maintenance or repair work carried out by an unauthorised person can lead to the wrong connection of the power cord or other components, which in turn can lead to accidents with serious consequences.



CAUTION

Certain cleaning agents and solvents are harmful to plastic parts.

- Some of these include, but are not limited to: Gasoline, Acetone, Methyl Ethyl Ketone (MEK), Carbonyl Chloride, cleaning solutions containing Chlorine, Ammonia, and household cleaners containing Ammonia.



Customer service and repairs must only be carried out by the manufacturer or service workshops. Find the nearest address at: www.festoolusa.com/service



Always use original Festool spare parts. Order no. at: www.festoolusa.com/service

To ensure constant air circulation, always keep the cooling air openings in the motor housing clean and free of blockages.

Keep the contacts on the power tool, charger and battery pack clean.

Check all warnings on the electric power tool for readability and completeness. Replace missing or illegible warnings.

13 Accessories



WARNING

Risk of injury

- Remove the battery pack from the power tool before performing any work on the power tool.

Use only original Festool accessories and Festool consumable material intended for this machine. These components are designed specifically for this machine. Using accessories and consumable material from other suppliers will most likely affect the quality of your results and limit warranty claims. Machine wear or your own personal workload may increase depending on the application. Protect yourself and your machine, and preserve your warranty claims by always using original Festool accessories and Festool consumable material!


The order numbers of the accessories and tools can be found in the Festool catalogue or on the Internet under "www.festoolusa.com".

13.1 SYSTAINER


Systainer

Many Festool products are shipped in a unique system container, called "Systainer". This provides protection and storage for the tool and accessories. The Systainers are stackable and can be interlocked together. They also can be interlocked atop Festool CT dust extractors.

To open the Systainer


 Turn the T-loc **[SYS-b-1]** to this position.

To lock the Systainer


 Turn the T-loc **[SYS-b-1]** to this position.

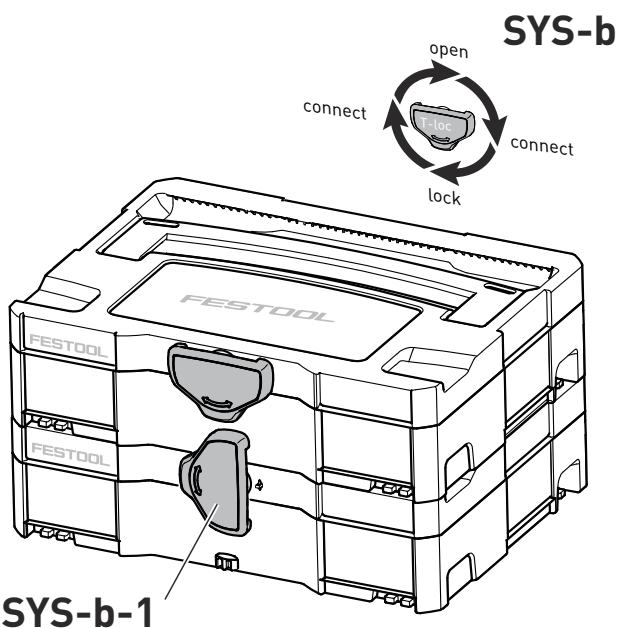
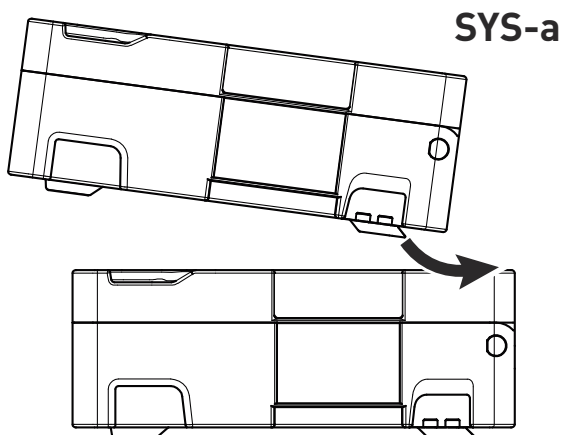
To connect two Systainers

Place one Systainer on the top of the other (Fig. **[SYS a]**).

 Turn the T-loc **[SYS-b-1]** to one of this positions (Fig. **[SYS-b]**).

The Systainers are connected and locked.

 A new generation Systainer is connectable on top of a previous generation Systainer by the four latches of the previous Systainer.



ries and packaging at an environmentally responsible recycling centre. Observe the valid national regulations.

Battery Disposal



WARNING

Risk of fire or injury

- ▶ Do not attempt to disassemble the battery or remove any component projecting from the battery terminals.
- ▶ Prior to disposal, protect exposed terminals with heavy insulating tape to prevent shorting.

14 Environment

Do not dispose of the device together with domestic waste! Dispose of machines, accesso-

Sommaire

1	À propos de ce manuel.....	18
2	Symboles.....	18
3	Consignes de sécurité.....	19
4	Utilisation conforme.....	22
5	Caractéristiques techniques.....	22
6	Éléments de l'appareil.....	23
7	Mise en service.....	23
8	Réglages.....	23
9	Porte-outil, embouts.....	23
10	Utilisation de la machine.....	24
11	Consignes de travail.....	25
12	Entretien et maintenance.....	26
13	Accessoires.....	26
14	Environnement.....	27

1 À propos de ce manuel

Conservez ces instructions

Il est important pour vous de lire et de comprendre ce manuel. Les informations qu'il contient, se rapporte à la protection **de votre sécurité** et **de prévention des problèmes**. Les symboles suivants sont utilisés pour vous aider à reconnaître cette information.



DANGER

Description du risque imminent et l'incapacité à éviter tout risque qui peut entraîner la mort.



AVERTISSEMENT

Description des dangers possibles et des blessures qui en résultent ou la mort.



ATTENTION

Description des dangers et des éventuelles blessures qui en résultent.

AVIS

Description des dommages potentiels sur l'appareil ou dans son environnement.

2 Symboles



Avertit d'un danger général



Avertit d'un risque de décharge électrique



Lire le mode d'emploi et les consignes de sécurité !



Porter une protection auditive !



Porter des gants de protection !



Porter une protection respiratoire !



Porter des lunettes de protection !



Ne pas jeter avec les ordures ménagères.



Conseil, information



Handlungsanweisung



Insérer la batterie



Dégager la batterie



Diamètre



Max. mandrin de perçage

V Volt

A Ampère

Hz Hertz

~ a.c. Tension alternative

— d.c. Tension continu

n_0 Vitesse de rotation à vide

rpm min^{-1} Tours ou course par minute

n

min. minutes

Ah Heure d'ampère

kg kilogramme

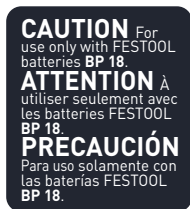
lb. livre

Wh Wattheure

Nm Newton metre

mm millimètre

" pouce



ATTENTION À utiliser seulement avec les batteries FESTOOL BP 18

3 Consignes de sécurité

3.1 Consignes générales de sécurité pour outils électroportatifs



AVERTISSEMENT ! Veuillez lire toutes les consignes de sécurité, instructions, illustrations et caractéristiques techniques qui accompagnent le présent outil électroportatif. Des négligences relatives aux instructions suivantes peuvent occasionner un choc électrique, un incendie et/ou des blessures graves.

Conserver l'ensemble des consignes de sécurité et des instructions afin de pouvoir les consulter ultérieurement.

Le terme « outil électroportatif » utilisé dans les consignes de sécurité se rapporte aux outils électroportatifs fonctionnant sur secteur (avec câble) et aux outils électroportatifs fonctionnant sur batterie (sans câble).

1 SÉCURITÉ DU POSTE DE TRAVAIL

- Veillez à ce que la zone de travail soit propre et bien éclairée.** Un poste de travail en désordre ou mal éclairé peut entraîner des accidents.
- Ne vous servez pas de l'outil électroportatif dans un environnement où il y a un risque d'explosion dû à la présence de liquides inflammables, de gaz ou de poussières.** Les outils électroportatifs peuvent générer des étincelles susceptibles d'enflammer la poussière ou les vapeurs.
- Éloignez les enfants et d'autres personnes pendant l'utilisation de l'outil électroportatif.** Si vous êtes distrait, vous pouvez perdre le contrôle de l'outil.

2 SÉCURITÉ ÉLECTRIQUE

- Le connecteur de l'outil électroportatif doit correspondre à la prise électrique. Le connecteur ne doit être modifié d'aucune façon. N'utilisez pas d'adaptateur avec des outils électroportatifs mis à la terre.** Des connecteurs intacts et des prises correspondantes diminuent le risque d'un choc électrique.

- Évitez tout contact avec des surfaces mises à la terre telles que des tuyaux, chauffages, cuisinières et réfrigérateurs.** Un risque élevé de choc électrique existe si votre corps est relié à la terre.
- Protégez les outils électroportatifs de la pluie et de l'humidité.** L'infiltration d'eau dans un outil électroportatif augmente le risque de choc électrique.
- Ne détournez pas l'utilisation du câble de raccordement pour porter l'outil électroportatif, l'accrocher ou pour tirer le connecteur de la prise. Éloignez le câble de la chaleur, de l'huile, de bords tranchants ou de pièces en mouvement.** Des câbles de raccordement endommagés ou enchevêtrés augmentent le risque de choc électrique.
- Si vous travaillez avec un outil électroportatif à l'extérieur, utilisez uniquement des rallonges prévues pour l'extérieur.** L'utilisation d'un câble prévu pour l'extérieur diminue le risque d'un choc électrique.
- Utilisez un disjoncteur à courant de défaut quand le fonctionnement de l'outil électroportatif en environnement humide ne peut pas être évité.** L'utilisation d'un disjoncteur à courant de défaut diminue le risque d'un choc électrique.

3 SÉCURITÉ DES PERSONNES

- Soyez attentif à ce que vous faites, faites preuve de bon sens lorsque vous travaillez avec l'outil électroportatif. N'utilisez pas l'outil électroportatif si vous êtes fatigué ou si vous êtes sous l'influence de drogues, de l'alcool ou de médicaments.** Un moment d'inattention lors de l'utilisation de l'outil électroportatif peut entraîner des blessures graves.
- Portez un équipement de protection individuelle et des lunettes de protection en permanence.** Le port d'un équipement de protection individuelle tel que masque contre la poussière, chaussures de sécurité antidérapantes, casque ou protection auditive, en fonction du type et de l'utilisation de l'outil électroportatif, diminue le risque de blessures.
- Évitez toute mise en service involontaire. Assurez-vous que l'outil électroportatif est déconnecté avant de le raccorder à l'alimentation électrique et/ou à la batterie, avant de le soulever ou de le porter.** Si, en portant l'outil électroportatif, vous

avez le doigt sur l'interrupteur ou si vous raccordez l'appareil connecté à l'alimentation électrique, cela peut entraîner des accidents.

- d. **Retirez les outils de réglage ou les clés anglaises avant de connecter l'outil électroportatif.** Un outil ou une clé qui se trouve dans une partie en rotation de l'outil électroportatif peut entraîner des blessures.
- e. **Évitez toute position de travail anormale. Veillez à maintenir une position stable et un bon équilibre à tout moment.** Vous pourrez ainsi à tout moment contrôler l'outil électroportatif dans des situations inattendues.
- f. **Portez des vêtements adaptés. Ne portez pas de vêtements amples ou de bijoux. Éloignez vos cheveux et vos vêtements des pièces en mouvement.** Des vêtements amples, des bijoux ou des cheveux longs pourraient se prendre dans les pièces en mouvement.
- g. **Si des dispositifs d'aspiration et de récupération des poussières peuvent être montés, raccordez-les et utilisez-les correctement.** L'utilisation d'une aspiration des poussières peut diminuer les dangers dus aux poussières.
- h. **Ne vous croyez pas faussement en sécurité et n'enfreignez pas les règles de sécurité destinées aux outils électroportatifs, même si vous maîtrisez l'outil électroportatif après de multiples utilisations.** Un manque d'attention peut en un quart de seconde entraîner de graves blessures.

4 UTILISATION ET TRAITEMENT DE L'OUTIL ÉLECTROPORTATIF

- a. **Ne surchargez pas l'outil électroportatif. Utilisez l'outil électroportatif destiné à votre travail.** L'outil électroportatif adapté vous permet de travailler mieux et avec plus de sécurité dans la plage de puissance indiquée.
- b. **N'utilisez aucun outil électroportatif dont l'interrupteur serait défectueux.** Un outil électroportatif qui ne peut plus être mis en marche ou arrêté est dangereux et doit être réparé.
- c. **Débranchez le connecteur de la prise de courant et/ou retirez une batterie amovible avant d'effectuer des réglages sur l'appareil, de remplacer des pièces d'outil ou de déposer l'outil électroportatif.** Cette

mesure de précaution empêche un démarrage involontaire de l'outil électroportatif.

- d. **Rangez toujours les outils électroportatifs inutilisés hors de portée des enfants. Ne laissez aucune personne à laquelle vous ne faites pas confiance ou qui n'a pas lu ces consignes se servir de l'outil électroportatif.** Les outils électroportatifs sont dangereux lorsqu'ils sont utilisés par des personnes inexpérimentées.
- e. **Prenez soin de vos outils électroportatifs et outils. Vérifiez que les parties mobiles fonctionnent sans problème, qu'elles ne coincent pas et qu'il n'y a pas de parties cassées ou endommagées qui pourraient entraver le bon fonctionnement de l'outil électroportatif. Faites réparer les parties endommagées avant d'utiliser l'outil électroportatif.** De nombreux accidents sont dus à un mauvais entretien des outils électroportatifs.
- f. **Maintenez les outils de coupe affûtés et propres.** Des outils de coupe entretenus avec soin dotés de bords de coupe affûtés se coincent moins et sont plus faciles à utiliser.
- g. **Utilisez l'outil électroportatif, les outils, etc. en respectant ces instructions. Tenez compte des conditions de travail et de la tâche à effectuer.** L'utilisation des outils électroportatifs pour d'autres applications que celles prévues peut entraîner des situations dangereuses.
- h. **Veillez à ce que les poignées et surfaces des poignées soient sèches, propres et exemptes d'huile ou de graisse.** Des poignées et surfaces de poignées glissantes ne permettent pas une utilisation en toute sécurité ni un contrôle de l'outil électroportatif dans des situations imprévues.

5 UTILISATION ET TRAITEMENT DE L'OUTIL SANS FIL

- a. **Rechargez les batteries uniquement dans les chargeurs recommandés par le fabricant.** Un chargeur destiné à un certain type de batteries peut prendre feu s'il est utilisé avec d'autres batteries.
- b. **Utilisez uniquement les batteries prévues dans les outils électroportatifs.** L'utilisation d'autres batteries peut entraîner des blessures et un risque d'incendie.
- c. **Éloignez la batterie non utilisée des trombones, pièces de monnaie, clés, clous, vis ou tout autre objet métallique qui pour-**

raient causer un pontage des contacts. Un court-circuit entre les contacts de la batterie peut causer des brûlures ou un incendie.

- d. **En cas d'utilisation erronée, il est possible que du liquide s'écoule de la batterie. Éviter tout contact avec celui-ci. En cas de contact accidentel, rincer avec de l'eau. Si le liquide pénètre dans les yeux, consultez en plus un médecin.** Le liquide s'écoulant de la batterie peut causer des irritations cutanées ou des brûlures.
- e. **N'utilisez pas de batterie endommagée ou modifiée.** Des batteries endommagées ou modifiées peuvent causer des réactions inattendues et provoquer un incendie, une explosion ou des blessures.
- f. **N'exposez pas une batterie au feu ou à des températures élevées.** Le feu ou des températures supérieures à 130 °C peuvent provoquer une explosion.
- g. **Suivez toutes les instructions pour le chargement et ne chargez jamais la batterie ou l'outil sans fil hors de la plage de température indiquée dans la notice d'utilisation.** Un chargement erroné ou hors de la plage de température autorisée peut détruire la batterie et augmenter le risque d'incendie.

6 SERVICE

- a. **Faites réparer votre outil électroportatif uniquement par un personnel qualifié ; les réparations doivent être effectuées avec des pièces d'origine uniquement,** afin de garantir la fiabilité de l'outil électroportatif.
- b. **N'entretenez jamais de batteries endommagées.** Seul le fabricant ou des ateliers de service après-vente agréés doivent réaliser l'ensemble de la maintenance des batteries.
- c. **Pour la réparation et l'entretien, n'utilisez que des pièces d'origine.** L'utilisation d'accessoires ou de pièces détachées non adaptés risque de provoquer une électrocution ou des blessures.

3.2 Consignes de sécurité spécifiques à l'appareil

- **Si la vis pourrait entrer en contact avec des câbles électriques invisibles, tenez l'outil électroportatif à l'aide de la poignée isolée.** Le contact de la vis avec un câble sous tension peut également mettre des

pièces métalliques de l'appareil sous tension et provoquer une décharge électrique.

- **Utilisez des appareils de détection appropriés pour repérer les câbles d'alimentation invisibles ou consultez l'entreprise de distribution locale.** Le contact de l'outil monté avec un câble sous tension peut provoquer un feu ou une décharge électrique. Une conduite de gaz endommagée peut provoquer une explosion. Le perçage dans une conduite d'eau provoque des dégâts matériels.



- **Portez un équipement de protection individuelle approprié :** une protection auditive, des lunettes de protection, un masque anti-poussière lors des travaux impliquant un dégagement de poussière et des gants de protection dans le cas des matériaux rugueux et lors du changement d'outil.



ATTENTION ! L'outil électroportatif peut se bloquer et provoquer un rebond brusque ! Mettre à l'arrêt immédiatement !

- **Tenir l'outil électroportatif bien en main. Régler correctement la vitesse de rotation pour le vissage. S'attendre à un couple de réaction élevé** pouvant provoquer une rotation de l'outil électroportatif et entraîner des blessures.
- **Ne pas utiliser l'outil électroportatif sous la pluie ou dans un environnement humide.** L'humidité dans l'outil électroportatif peut causer un court-circuit et provoquer un incendie.
- Ne pas bloquer constamment l'interrupteur marche/arrêt !
- L'appareil et son chargeur de vis est soumis aux prescriptions et consignes de sécurité de la visseuse pour plaquistes.
- **Ne pas faire fonctionner l'outil électroportatif sans fil avec des blocs d'alimentation secteur ou avec des batteries d'autres fabricants. Ne pas utiliser de chargeurs d'autres fabricants pour recharger la batterie.** L'utilisation d'accessoires autres que ceux prévus par le fabricant peut provoquer une décharge électrique et/ou des accidents graves.

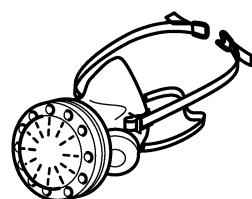
Respecter la notice d'utilisation du chargeur et de la batterie.

3.3 La poussière, un risque pour la santé



AVERTISSEMENT! certaines poussières créées par le ponçage mécanique, le sciage, le meulage, le perçage et autres activités reliées à la construction contiennent des substances chimiques connues (dans l'État de la Californie) comme pouvant causer le cancer, des anomalies congénitales ou représenter d'autres dangers pour la reproduction. Voici quelques exemples de telles substances:

- plomb provenant de peintures à base de plomb,
- silice cristallisée utilisée dans les briques, le ciment et autres matériaux de maçonnerie, et
- arsenic et chrome du bois d'oeuvre traité avec un produit chimique.



Le risque d'exposition à de tels produits varie selon la fréquence à laquelle vous faites ce genre de travail. Pour réduire les risques d'exposition à ces substances chimiques : travaillez dans un endroit adéquatement ventilé et utilisez un équipement de sécurité approuvé, tel que masques antipoussières spécialement conçus pour filtrer les particules microscopiques.



AVERTISSEMENT

POUR RÉDUIRE LE RISQUE DE DOMMAGES, L'UTILISATEUR DOIT LIRE LE MANUEL D'INSTRUCTION.

5 Caractéristiques techniques

Visseuse sans fil pour plaquistes	DWC 18-2500	DWC 18-4500
Tension du moteur	18 V	18 V
Vitesse de rotation à vide*	0 - 2500 min ⁻¹	0 - 4500 min ⁻¹
Couple tendre/dur	7/18 Nm	5/14 Nm
Porte-outil	1/4 " DIN 3126 / ISO 1173	1/4 " DIN 3126 / ISO 1173
Longueur de vis max. compatible	55 mm (2-3/16")	55 mm (2-3/16")
Poids selon la procédure EPTA 01:2014 (avec batterie et chargeur de vis)	4.4 lbs (2 kg)	
Poids sans batterie	2.6 lbs (1.2 kg)	
Poids avec butée de profondeur, sans batterie	2.9 lbs (1.3 kg)	
Poids avec chargeur de vis, sans batterie	3.5 lbs (1.6 kg)	

4 Utilisation conforme

La visseuse pour plaquistes convient aux opérations de vissage suivantes :

DWC 18-2500

- Plaques de staff sur des structures en métal et en bois avec des vis à fixation rapide à nervures fraisées
- Panneaux d'aggloméré/OSB sur des structures en bois avec des vis pour bois et pour panneaux d'aggloméré d'un diamètre max. de 5 mm (3/16")

DWC 18-4500

- Plaques de plâtre sur des rails métalliques profilés (≤ 0.88 mm (1/32")) avec des vis à fixation rapide à filet fin
- Plaques de plâtre sur des rails métalliques profilés (≤ 2.25 mm (3/32")) avec des vis à fixation rapide à pointe de perçage
- Plaques de plâtre sur des structures en bois avec des vis à fixation rapide à gros filet

L'outil électroportatif convient pour l'utilisation avec les batteries Festool de la série BP de catégorie de tension identique.



L'utilisateur est responsable des dommages et accidents dus à une utilisation non conforme, y compris des dommages et de l'usure résultant d'une utilisation industrielle continue.

* Valeurs de vitesse de rotation avec batterie entièrement chargée.

6 Éléments de l'appareil

- [1-1] Logement pour embouts
- [1-2] Interrupteur marche/arrêt
- [1-3] Sélecteur de fonctionnement vers la droite/gauche
- [1-4] Commutateur AUTO/MAN
- [1-5] Butée de profondeur
- [1-6] Embout
- [1-7] Parties isolées (zone en gris) servant de poignée
- [1-8] Touche témoin de charge de la batterie
- [1-9] Témoin de charge

Les accessoires illustrés ou décrits ne font pas tous partie des éléments livrés.

Des éléments fournis sont disponibles sur le volet qui se trouve au début de cette notice d'utilisation. Vous pouvez ainsi déplier cette page et visualiser en permanence les différentes parties de l'outil lorsque vous lisez la notice.

7 Mise en service

7.1 Remplacer la batterie




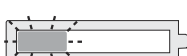
Insertion de la batterie [2A]

Retirer la batterie [2B]


La batterie est utilisable dès la livraison et peut être rechargée à tout moment.

7.2 Kapazitätsanzeige

Die Kapazitätsanzeige [1-8] zeigt bei Betätigung der Taste [1-9] den Ladezustand des Akkupacks für ca. 2s an:

	70-100%
	40-70%
	15-40%
	< 15% *

* **Empfehlung:** Akkupack vor weiterer Verwendung laden.

 Vous trouverez des informations supplémentaires sur la batterie et le chargeur dans les notices d'utilisation de ces deux éléments.

8 Réglages



ATTENTION

Risque de blessures

- Réglages à effectuer uniquement quand l'outil électroportatif est à l'arrêt !

8.1 Changement de sens de rotation [1-3]

- Commutateur vers la gauche = rotation à droite
- Commutateur vers la droite = rotation à gauche

9 Porte-outil, embouts



AVERTISSEMENT

Risques de blessures, choc électrique

- Retirez systématiquement la batterie de la machine avant tous les travaux sur la machine !

9.1 Porte-embout

Le porte-embout permet de changer rapidement d'embout.



ATTENTION

Risque de blessures dû à l'outil chaud et tranchant

- Ne pas monter d'outils émoussés ou défectueux.
- Porter des gants de protection.

Montage du porte-embout

- Placer l'interrupteur [1-4] à la position MAN.
- Insérer le porte-embout [3-2] dans le porte-outil [3-3] jusqu'à ce qu'il s'enclenche.
- Installer l'embout [3-1] dans le support.
- Ensuite, mettre en place la butée de profondeur sur le boîtier de la transmission en procédant comme décrit au chapitre .

Démontage du porte-embout

- Retirer la butée de profondeur en procédant comme décrit au chapitre .
- Sortir le porte-embout du porte-outil en tirant avec force.

9.2 Remplacement de l'embout

Pour remplacer l'embout [1-6], vous pouvez utiliser la butée de profondeur [1-5].

- Pour cela, placer la butée de profondeur sur l'embout comme dans la figure [3b].
- L'embout peut être retiré en inclinant la butée de profondeur et l'embout tout en tirant.

- Installer ensuite un nouvel embout dans le porte-embout.

10 Utilisation de la machine

10.1 Marche/arrêt [1-2]

i L'appareil ne démarre pas par simple pression sur l'interrupteur [1-2] – **il ne s'agit pas d'un défaut !**

i Après le vissage à la profondeur réglée, l'appareil se coupe automatiquement !

L'appareil peut être mis en marche de différentes manières :

a)

- Régler l'appareil sur la rotation vers la droite au moyen du sélecteur droite/gauche [1-3].
- Placer le commutateur [1-4] à la position MAN.
- Pour mettre l'appareil en marche, actionner l'interrupteur [1-2] et appuyer simultanément sur la vis avec l'embout.

Le réglage progressif de la vitesse de rotation s'effectue en appuyant sur l'interrupteur [1-2].

b)

- Régler l'appareil sur la rotation vers la droite au moyen du sélecteur droite/gauche [1-3].
- Placer le commutateur [1-4] à la position AUTO.
- Pour mettre l'appareil en marche, appuyer sur la vis avec l'embout.

Il n'est pas nécessaire d'appuyer sur l'interrupteur [1-2] ! La vitesse de rotation maximale est réglée de manière automatique.

c)

- Régler l'appareil sur la rotation vers la gauche au moyen du sélecteur droite/gauche [1-3].
- Mettre l'appareil en marche avec l'interrupteur [1-2].

Le commutateur MAN/AUTO [1-4] peut être à n'importe quelle position.

Le réglage progressif de la vitesse de rotation s'effectue en appuyant sur l'interrupteur [1-2].

i La visseuse pour plaquistes fonctionne en rotation vers la gauche après une simple pression sur l'interrupteur [1-2], sans qu'il soit nécessaire d'appuyer en plus sur la vis avec l'embout.



Pour dévisser des vis, il n'est pas nécessaire de retirer la butée de profondeur.

10.2 Butée de profondeur

Il est possible de régler la profondeur de vissage en tournant la butée de profondeur [1-5], comme le montre la figure [4]. La précision de réglage est d'env. $\pm 0,1$ mm.

Rotation vers la gauche	La profondeur de vissage augmente.
Rotation vers la droite	La profondeur de vissage diminue

Après le réglage de la profondeur, effectuer un vissage d'essai puis corriger la profondeur si nécessaire.

Montage de la butée de profondeur

- Placer la butée de profondeur [5-1] sur le boîtier de la transmission [5-2].
- Presser ensuite la butée de profondeur jusqu'à ce qu'elle s'enclenche de manière audible.

Démontage de la butée de profondeur

- Retirer la butée de profondeur du boîtier de la transmission en tirant avec force.

10.3 Crochet pour échafaudage et clip pour ceinture

Le clip pour ceinture [6-1] permet de fixer temporairement l'appareil aux vêtements de travail – il peut être monté à gauche ou à droite sur l'appareil au moyen de la vis [6-2] et convient donc aux droitiers et aux gauchers – voir figure [6].

L'appareil est doté d'un crochet [7-1] conçu pour l'accrocher occasionnellement. Il peut être monté à gauche ou à droite sur le boîtier au moyen de la vis [7-2] – voir figure [7].

10.4 Chargeur de vis

Le chargeur de vis permet de travailler en continu, sans pauses superflues.

Montage du chargeur de vis

- En procédant comme décrit au chapitre 9, retirer la butée de profondeur [5-1] et l'embout installés sur le porte-embout [3-2].
- Placer le commutateur [1-4] en position MAN.
- Insérer l'embout long [8-1] dans le porte-outil [3-3] jusqu'à ce qu'il s'enclenche.
- Ensuite, installer le chargeur de vis sur le boîtier de la transmission. Le chargeur de vis doit s'enclencher de manière audible.

- ▶ Le chargeur de vis peut être positionné à des intervalles de 30°.

Démontage du chargeur de vis

- ▶ Retirer le chargeur de vis du boîtier de la transmission en tirant avec force.

Réglage de la longueur de vis

- ▶ La touche **[15-1]** permet d'avancer ou reculer la butée de profondeur **[13-3]** afin de l'adapter à la longueur de vis souhaitée.

*Le réglage de longueur de vis peut être consulté sur les côtés de la butée de profondeur **[9-3]**.*

Insertion des bandes de vis

- ▶ Faire d'abord passer la bande de vis **[10-3]** par le guide inférieur du chargeur, puis l'enrouler dans le guide du chariot jusqu'à ce que la vis s'enclenche à sa position de travail.


Tirez légèrement sur la bande de vis pour vous assurer qu'elle est fixée correctement et solidement.

Vérifiez que la première vis se trouve bien dans l'axe de vissage – voir figure **[10]**.

- ▶ Régler la profondeur de vissage au moyen de la molette **[10-1]**.
- ▶ Tourner la molette vers la droite pour augmenter la profondeur de vissage, et vers la gauche pour la réduire. L'indicateur de présélection **[10-2]** permet de consulter le réglage actuel

Une fois le réglage terminé, effectuer un vissage d'essai puis corriger au besoin le réglage de profondeur au moyen de la molette **[10-1]**.

Chaque modification du réglage correspond à un décalage de la butée de $\pm 0,1$ mm.

 Nous recommandons de procéder au vissage en mode automatique – voir chapitre 10.1 b).

Retrait de la bande de vis

- ▶ Le retrait de la bande de vis s'effectue en tirant tout simplement vers le haut (figure **[11]** ①) ou en actionnant le levier de transport tout en tirant la bande de vis vers le bas (figure **[11]** ②).

11 Consignes de travail

- Ne pas tenir le chargeur de vis en plaçant la main dans la zone de la butée de profondeur !
- Chaque vissage doit être effectué jusqu'au bout. L'interruption du vissage ou une pression exercée lors du vissage peut provoquer un dysfonctionnement de l'appareil.

- Les bandes de vis ne doivent être remplacées que pendant l'arrêt de l'appareil.
- Ne jamais utiliser le chargeur de vis d'une autre manière que celle décrite dans la présente notice d'utilisation.
- Utiliser uniquement des embouts de vissage d'origine.
- Utiliser uniquement des vis en bande d'origine.
- Toujours conserver les bandes de vis dans leur emballage d'origine.
- Toujours travailler en angle droit par rapport au panneau à fixer.

11.1 Entretien du chargeur de vis

En principe, le chargeur de vis ne nécessite pas d'entretien. Après une longue utilisation, il est recommandé de le nettoyer à l'air comprimé.

Le chargeur de vis peut être lubrifié dans la zone du guide du chariot – voir figure **[12]**.

Pour le nettoyage, le chargeur de vis peut être désassemblé en procédant comme indiqué ci-dessous.

Avant le nettoyage, retirer la bande de vis du chargeur en procédant de la manière décrite au chapitre , paragraphe <Retrait de la bande de vis>.

Retirer le chargeur de vis de la visseuse pour plaquistes.

Démontage du chariot

- ▶ Enfoncer la butée de profondeur **[13-3]** dans le boîtier jusqu'à ce que la touche d'arrêt **[13-1]** se trouve à hauteur du marquage de démontage du chariot **[13-2]** – voir figure **[13]**.
- ▶ Appuyer sur la touche d'arrêt **[13-1]** tout en tirant le chariot pour le sortir du chargeur – voir figure **[12]**.
- ▶ Appuyer sur la touche **[15-1]** tout en détachant la butée de profondeur – voir figure **[15]**.

Démontage du levier de transport

- ▶ Appuyer sur la touche **[17-1]** tout en poussant dans le sens de la flèche – voir figure **[16]**.
- ▶ Retirer du chariot la touche dégagée **[17-1]** (figure) ainsi que le levier de transport **[17-3]** et le ressort **[17-2]** (figure **[17]**).
- ▶ Nettoyer les différentes pièces, remplacer les pièces défectueuses ou usées puis procéder au montage dans l'ordre inverse.



Lors de la remise en place du levier de transport dans le chariot, veiller à installer cor-

rectement le ressort **[17-2]** dans le levier de transport. Un montage incorrect peut provoquer des perturbations lors du déplacement de la bande à vis.

11.2 Signaux d'avertissement sonores

Des signaux d'avertissement sonores retentissent lors des états de fonctionnement suivants et la machine s'arrête :



peep — —

- Batterie déchargée ou machine surchargée.
- ▶ Remplacez la batterie.
- ▶ Réduisez la charge de la machine.



peep peep —

- La machine est surchauffée.
- ▶ Après refroidissement, vous pouvez remettre la machine en marche.



peep peep peep

- La batterie Li-ion est surchauffée ou défectueuse.
- ▶ Contrôlez sa capacité de fonctionnement avec le chargeur, avec la batterie refroidie.

12 Entretien et maintenance



AVERTISSEMENT

Risques de blessures, choc électrique

- ▶ Retirez systématiquement la batterie de la machine avant tous les travaux de maintenance et d'entretien !



AVERTISSEMENT

Tout travail de maintenance ou de réparation, qui nécessite l'ouverture du moteur ou du carter d'engrenages doit uniquement être effectué par un centre service-client autorisé (nom fourni par votre revendeur) !

- ▶ Les travaux de maintenance ou de réparation effectués par un personnel non autorisé peuvent conduire à la mauvaise connexion de câbles d'alimentation ou d'autres composants, ce qui peut entraîner à son tour des accidents avec des conséquences graves.



ATTENTION

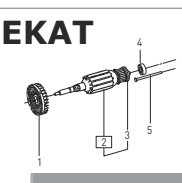
Certains produits nettoyants et solvants sont nocifs pour les pièces en plastique.

- ▶ Quelques exemples de produit nocif : essence, acétone, méthyléthylcétone (MEK), chlorure de carbonyle, solutions nettoyantes contenant du chlore, de l'ammoniac et les produits ménagers contenant de l'ammoniac.



FESTOOL

Service après-vente et réparation uniquement par le fabricant ou des ateliers homologués. Pour trouver l'adresse la plus proche : www.festoolusa.com/services



FESTOOL

Utiliser uniquement des pièces détachées Festool d'origine !
Réf. sur : www.festoolusa.com/services

Pour assurer la circulation de l'air, il est impératif que les ouïes de ventilation du carter moteur soient maintenues dégagées et propres.

Veiller à ce que les contacts de branchement sur l'outil électroportatif, le chargeur et la batterie restent propres.

Vérifier que les avertissements figurant sur l'outil électroportatif sont lisibles et au complet. Remplacer les avertissements manquants ou illisibles.

13 Accessoires



AVERTISSEMENT

Risque de blessures

- ▶ Retirer la batterie de l'outil électroportatif avant toute intervention sur ce dernier.

Utilisez uniquement les accessoires Festool et consommables Festool d'origine prévus pour cette machine, car ces composants systèmes sont parfaitement adaptés les uns par rapport aux autres. Si vous utilisez des accessoires et consommables d'autres marques, la qualité du résultat peut être dégradée et les recours en garantie peuvent être soumis à des restrictions. L'usure de la machine ou votre charge personnelle peuvent augmenter selon chaque application. Pour cette raison, protégez-vous, votre machine et vos droits à la garantie en utilisant ex-

clusivement des accessoires Festool et des consommables Festool d'origine !


Les références des accessoires et des outils figurent dans le catalogue Festool ou sur Internet sous "www.festoolusa.com".

13.1 SYSTAINER


Systainer

De nombreux produits Festool sont fournis dans une caisse exclusive, appelée "Systainer". Celle-ci permet de protéger et de ranger des outils et des appareils complémentaires. Les Systainer sont empilables et peuvent être solidarisés. En outre, ils se fixent sur les aspirateurs CT Festool.

Pour ouvrir le Systainer


 Tournez le T-loc **[SYS-b-1]** à cette position.

Pour fermer le Systainer


 Tournez le T-loc **[SYS-b-1]** à cette position.

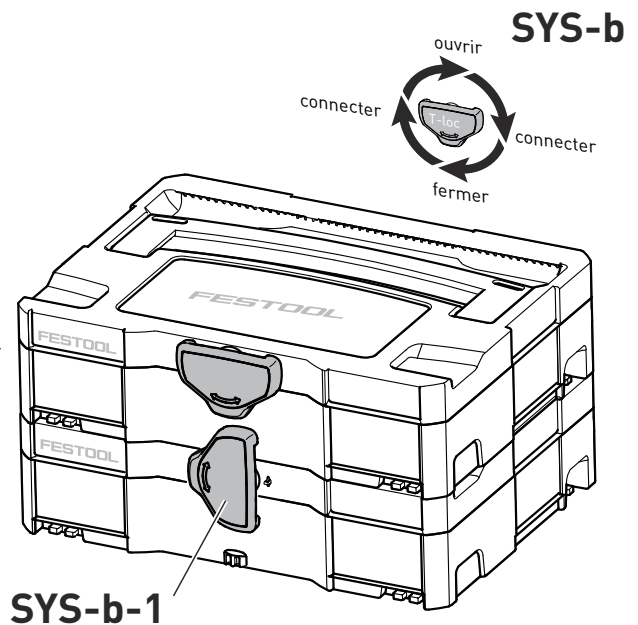
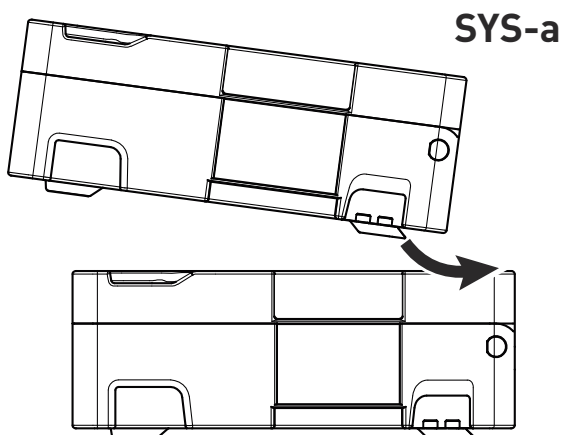
Pour connecter deux Systainers

Placez un Systainer au dessus de l'autre **[SYS a]**.

 Tournez le T-loc **[SYS-b-1]** à une de cette positions (Fig. **[SYS-b]**).

Les Systainers sont combinés.

 Un Systainer de la nouvelle génération peut être attaché au dessus d' un Systainer de l'ancienne génération par les quatre loquets de l'ancien Systainer.



14 Environnement

Ne jetez pas l'appareil avec les ordures ménagères ! Éliminez l'appareil, les accessoires et les emballages de façon compatible avec l'environnement. Respectez les prescriptions nationales en vigueur.

Mise au rebut des batteries



AVERTISSEMENT

Risque d'incendie ou de blessures

- ▶ Ne tentez pas de désassembler la batterie ou d'enlever tout composant faisant saillie des bornes de batterie.
- ▶ Avant la mise au rebut, protégez les bornes exposées à l'aide d'un ruban isolant épais pour prévenir le court-circuitage.




Índice de contenidos

1	Sobre este manual.....	29
2	Símbolos.....	29
3	Indicaciones de seguridad.....	30
4	Uso conforme a lo previsto.....	33
5	Datos técnicos.....	33
6	Componentes de la herramienta.....	33
7	Puesta en servicio.....	34
8	Ajustes.....	34
9	Alojamiento para herramienta, accesorios de prolongación.....	34
10	Trabajo con la máquina.....	35
11	Indicaciones de trabajo.....	36
12	Mantenimiento y cuidado.....	37
13	Accesorios.....	38
14	Medio ambiente.....	38




1 Sobre este manual












Guarde estas instrucciones

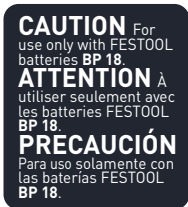
Es importante que usted lea y entienda este manual. La información que contiene se relaciona con la protección de **su seguridad** y la **prevención de problemas**. Los símbolos que siguen se utilizan para ayudarlo a reconocer esta información.

	PELIGRO	Descripción de peligro inminente y fracaso para evitar riesgos que podran causar la muerte.
	ADVERTENCIA	Descripción de peligro y posibles lesiones resultantes o la muerte.
	PRECAUCIÓN	Descripción de peligro y posibles lesiones resultantes.
	AVISO	Descripción de los posibles daños en el dispositivo o en su entorno.

2 Símbolos

	Aviso de peligro general
	Peligro de electrocución
	¡Leer el manual de instrucciones y las indicaciones de seguridad!

	Usar protección para los oídos
	Utilizar guantes de protección
	Utilizar protección respiratoria.
	Utilizar gafas de protección
	No depositar en la basura doméstica.
	Consejo, indicación
	Handlungsanweisung
	Insertar la batería
	Soltar la batería
	diámetro
	\varnothing max. Max. sujeción del portabrocas
V	voltios
A	amperios
Hz	hertzios
~	tensión alterna
a.c.	tensión alterna
—	tensión continua
d.c.	tensión continua
n_0	revoluciones por minuto en vacío
rpm	revoluciones por minuto
min^{-1}	revoluciones por minuto
min.	minutos
Ah	amperio-hora
kg	kilogramo
lb.	libras
Wh	vario-hora
Nm	Newton metro
mm	milímetro
"	pulgada



PRECAUCIÓN Para uso solamente con las baterías FESTOOL BP 18

3 Indicaciones de seguridad

3.1 Instrucciones generales de seguridad para herramientas eléctricas



¡ADVERTENCIA! Leer todas las indicaciones de seguridad, instrucciones, ilustraciones y datos técnicos que acompañan a esta herramienta eléctrica. Si no se cumplen debidamente las instrucciones siguientes, puede producirse una descarga eléctrica, quemaduras o lesiones graves.

Guarde todas las indicaciones de seguridad e instrucciones para que sirvan de futura referencia.

El término «herramienta eléctrica» empleado en las indicaciones de seguridad hace referencia a herramientas eléctricas conectadas a la red eléctrica (con un cable de red) o a herramientas eléctricas alimentadas con batería (sin cable de red).

1 SEGURIDAD EN EL LUGAR DE TRABAJO

- Mantenga su zona de trabajo limpia y bien iluminada.** El desorden o la falta de iluminación en las zonas de trabajo pueden dar lugar a accidentes.
- No trabaje con la herramienta eléctrica en entornos potencialmente explosivos donde se encuentren líquidos, gases o polvos inflamables.** Las herramientas eléctricas producen chispas que pueden inflamar el polvo o los vapores.
- Mantenga a los niños y otras personas alejados de la herramienta eléctrica durante el uso.** Si se distrae, puede perder el control de la herramienta.

2 SEGURIDAD ELÉCTRICA

- El conector de la herramienta eléctrica debe encajar en el enchufe. El conector no debe modificarse en modo alguno. No utilice conectores adaptadores con herramientas eléctricas con puesta a tierra.** Unos conectores intactos y unos enchufes adecuados reducen el riesgo de descarga eléctrica.
- Evite el contacto físico con superficies con puesta a tierra como las de tuberías, cale-**

facciones, cocinas y frigoríficos. Existe un riesgo elevado de descarga eléctrica si su cuerpo está en contacto con la tierra.

- Mantenga las herramientas eléctricas lejos de la lluvia y la humedad.** La penetración de agua en una herramienta eléctrica aumenta el riesgo de descarga eléctrica.
- No utilice el cable de conexión para transportar o colgar la herramienta eléctrica ni para extraer el conector del enchufe. Mantenga el cable de conexión alejado del calor, aceite, cantos afilados o piezas en movimiento.** Los cables de conexión dañados o enredados aumentan el riesgo de descarga eléctrica.
- Si trabaja con una herramienta eléctrica al aire libre, utilice únicamente alargadores aptos para el uso en exteriores.** El empleo de alargadores aptos para el uso en exteriores reduce el riesgo de descarga eléctrica.
- Cuando sea inevitable el uso de la herramienta eléctrica en un entorno húmedo, utilice un interruptor diferencial.** El uso de un interruptor diferencial reduce el riesgo de que se produzca una descarga eléctrica.

3 SEGURIDAD DE LAS PERSONAS

- Sea cuidadoso, preste atención a lo que está haciendo y actúe con prudencia al trabajar con herramientas eléctricas. No utilice ninguna herramienta eléctrica si está cansado o bajo los efectos de drogas, alcohol o medicamentos.** Una mínima distracción mientras está utilizando la herramienta eléctrica puede ocasionarle graves lesiones.
- Lleve puesto el equipamiento de protección personal y utilice gafas de protección en todo momento.** El empleo del equipamiento de protección personal como p. ej. mascarilla, guantes de seguridad antideslizantes, casco o protección de oídos, según el tipo y la aplicación de la herramienta eléctrica, reduce el riesgo de lesiones.
- Evite un arranque accidental de la herramienta. Asegúrese de que está desconectada antes de conectarla al suministro de corriente o la batería, recogerla o transportarla.** Existe peligro de accidente si transporta la herramienta eléctrica con el dedo sobre el interruptor o si conecta la herramienta encendida a la red.
- Retire las herramientas de ajuste y las llaves de tornillos antes de conectar la he-**

herramienta eléctrica. Si una herramienta o llave se encuentra en una pieza en movimiento de la herramienta eléctrica, pueden producirse lesiones.

- e. **Evite una postura anormal del cuerpo. Procure un apoyo seguro y mantenga el equilibrio en todo momento.** De esta manera podrá controlar mejor la herramienta eléctrica en situaciones inesperadas.
- f. **Utilice ropa adecuada. No utilice ropa ancha ni objetos de joyería o bisutería. Mantenga el pelo y la ropa alejados de las piezas en movimiento.** La ropa holgada o el pelo largo pueden quedar atrapados por piezas en movimiento.
- g. **Si se montan dispositivos de aspiración o recogida de polvo, estos deberán conectarse y utilizarse correctamente.** El empleo de un sistema de aspiración del polvo puede disminuir los peligros a causa del polvo.
- h. **No se cree un falso sentido de la seguridad ni ignore las normas de seguridad de las herramientas eléctricas, ni siquiera si está muy familiarizado con el uso de la herramienta.** Una distracción durante el manejo puede derivar en graves lesiones en cuestión de pocas fracciones de segundo.

4 USO Y MANEJO DE LA HERRAMIENTA ELÉCTRICA

- a. **No sobrecargue la herramienta eléctrica. Utilice la herramienta eléctrica adecuada para el trabajo que va a realizar.** Con la herramienta apropiada trabajará mejor y más seguro en el rango de potencia especificado.
- b. **No utilice ninguna herramienta eléctrica cuyo interruptor esté defectuoso.** Una herramienta eléctrica que no se pueda conectar o desconectar resulta peligrosa y es necesario repararla.
- c. **Extraiga el conector del enchufe o retire la batería extraíble antes de efectuar los ajustes de la herramienta, cambiar piezas o guardar la herramienta eléctrica.** Esta medida de seguridad impide el arranque accidental de la herramienta eléctrica.
- d. **Mantenga las herramientas eléctricas que no esté utilizando fuera del alcance de los niños. No permita que la herramienta eléctrica sea utilizada por personas que no estén familiarizadas con ella o no hayan leído las presentes indicaciones.** Las

herramientas eléctricas en manos inexpertas pueden ser peligrosas.

- e. **Trate las herramientas eléctricas y las herramientas intercambiables con cuidado. Compruebe si las partes móviles funcionan correctamente y no se atascan, y si hay piezas rotas o tan deterioradas que podrían mermar el funcionamiento de la herramienta eléctrica. Haga reparar las piezas deterioradas antes de usar la herramienta eléctrica.** Muchos accidentes tienen su origen en un mantenimiento deficiente de las herramientas eléctricas.
- f. **Mantenga las herramientas cortantes limpias y afiladas.** Las herramientas cortantes bien cuidadas con aristas de corte afiladas se atascan menos y se guían más fácilmente.
- g. **Utilice la herramienta eléctrica, las herramientas intercambiables, etc., de acuerdo con estas instrucciones. Para ello, tenga en cuenta las condiciones de trabajo y la actividad que debe realizar.** El uso de herramientas eléctricas en aplicaciones diferentes a las previstas puede dar lugar a situaciones peligrosas.
- h. **Mantenga las superficies de agarre y los mangos secos, limpios y libres de aceite y grasa.** Un mango o unas superficies de agarre resbaladizos no permiten un manejo y control seguros de la herramienta eléctrica en situaciones imprevistas.

5 USO Y MANEJO DE LA HERRAMIENTA A BATERÍA

- a. **Las baterías deben cargarse exclusivamente en cargadores recomendados por el fabricante.** Existe riesgo de incendio si un cargador apto para un determinado tipo de batería se utiliza con otras baterías.
- b. **Utilice solo las baterías previstas en las herramientas eléctricas en cuestión.** El uso de otras baterías puede provocar lesiones y riesgo de incendio.
- c. **Mantenga la batería que no utilice alejada de clips, monedas, llaves, clavos, tornillos o cualquier otro objeto metálico pequeño que pueda provocar el puenteo de los contactos.** Un cortocircuito entre los contactos de la batería puede causar quemaduras o fuego.
- d. **Si la batería se utiliza incorrectamente, pueden producirse fugas de líquido. Evite el contacto con este líquido. En caso de contacto accidental, enjuague con agua. Si**

- el líquido entra en contacto con los ojos, busque además asistencia médica.** El líquido derramado de la batería puede causar irritaciones en la piel o quemaduras.
- e. **No utilice baterías dañadas o modificadas.** Una batería dañada o modificada puede presentar un comportamiento imprevisible y producir fuego o explosiones o entrañar peligro de lesiones.
- f. **No exponga las baterías al fuego ni a altas temperaturas.** El fuego o una temperatura por encima de 130 °C puede originar una explosión.
- g. **Siga todas las instrucciones para la carga y no cargue la batería ni la herramienta a batería fuera del rango de temperatura especificado en el manual de instrucciones.** Una carga incorrecta o fuera del rango de temperatura permitido puede dañar la batería e incrementar el peligro de incendio.

6 SERVICIO

- a. **Encargue la reparación de su herramienta eléctrica únicamente a personal técnico cualificado y solo con piezas de recambio originales.** De esta forma queda garantizada la seguridad de la herramienta eléctrica.
- b. **Nunca realice trabajos de mantenimiento en una batería dañada.** Únicamente el fabricante o los centros autorizados del Servicio de Atención al Cliente pueden llevar a cabo los trabajos de mantenimiento de las baterías.
- c. **Utilice exclusivamente piezas originales para la reparación y el mantenimiento de la herramienta.** El uso de accesorios o piezas de recambio no previstos puede producir descargas eléctricas o lesiones.

3.2 Indicaciones de seguridad específicas

- **La herramienta eléctrica debe sujetarse por las superficies de agarre aisladas cuando se lleven a cabo trabajos en los que el tornillo pudiera entrar en contacto con cables eléctricos ocultos.** El contacto del tornillo con una conducción de corriente puede poner bajo tensión también las piezas metálicas de la máquina y provocar una descarga eléctrica.
- **Utilice aparatos de exploración adecuados para detectar tuberías de abastecimiento ocultas o consulte a la compañía local de abastecimiento de energía.** El contacto de

la herramienta con cables eléctricos puede provocar fuego y descargas eléctricas. Si se daña una tubería de gas, puede provocar una explosión. La penetración en una tubería de agua ocasiona daños materiales.



- **Es imprescindible utilizar los equipos de protección personal adecuados:** protección para los oídos, gafas de protección, mascarilla para los trabajos que generan polvo, guantes de protección al trabajar con materiales rugosos y para cambiar de útil.



ATENCIÓN. La herramienta eléctrica puede bloquearse y provocar contragolpes repentinos ¡Desconectar de inmediato!

- **Sujete la herramienta con la mano. Ajuste correctamente el número de revoluciones al atornillar. Esté preparado ante un posible momento de reacción repentino** que haga girar la herramienta eléctrica y pueda provocar lesiones.
- **No utilice la herramienta bajo la lluvia o en entornos húmedos.** La humedad puede provocar un cortocircuito en la herramienta y hacer que se incendie.
- No debe bloquearse permanentemente el interruptor de conexión y desconexión.
- La combinación de cargador de tornillos y atornillador para construcción en seco da lugar a una herramienta a la cual se aplican las normas e indicaciones de seguridad del atornillador para construcción en seco.
- **No utilizar fuentes de alimentación o baterías de otro fabricante con la herramienta eléctrica de batería. No utilizar cargadores de otro fabricante para cargar la batería.** El uso de accesorios no previstos por el fabricante puede provocar una descarga eléctrica o accidentes graves.

Tenga en cuenta el manual de instrucciones del cargador y de la batería.

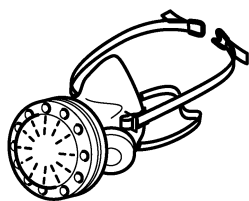
3.3 Riesgos para la salud producidos por el polvo



ADVERTENCIA! algunos polvos creados por lijadoras motorizadas, aserraderos, trituradores, perforadoras y otras actividades de construcción contienen sustancias químicas que se sabe (en el Estado de California) causan cáncer, defectos de nacimiento u otros daños al sistema reproductivo. Algunos ejemplos de estas sustancias químicas son:

- Plomo de las pinturas con base de plomo

- Sílice cristalino de los ladrillos y cemento y otros productos de mampostería, y
- Arsénico y cromo de madera tratada con sustancias químicas



El riesgo de exposición a estas sustancias varía, dependiendo de cuantas veces se hace este tipo de trabajo.

Para reducir el contacto con estas sustancias químicas:

trabaje en un área con buena ventilación y trabaje con equipo de seguridad aprobado, como mascarillas para el polvo diseñadas específicamente para filtrar partículas microscópicas.



ADVERTENCIA

PARA REDUCIR EL RIESGO DE LESIÓN, EL USUARIO DEBE LEER EL MANUAL DE INSTRUCCIÓN.

4 Uso conforme a lo previsto

El atornillador para construcción en seco es adecuado para los siguientes trabajos de atornillado:

DWC 18-2500

- Atornillado de placas de yeso con fibra a construcciones de metal y madera median-

te tornillos para montajes rápidos con nervaduras de fresado

- Atornillado de planchas de madera aglomerada/OSB a construcciones de madera mediante tornillos para madera y para planchas de madera aglomerada con un diámetro de hasta 5 mm

DWC 18-4500

- Atornillado de placas de cartón yeso a rieles perfilados de metal (≤ 0.88 mm (1/32")) mediante tornillos para montajes rápidos de rosca fina
- Atornillado de placas de cartón yeso a rieles perfilados de metal (≤ 2.25 mm (3/32")) mediante tornillos para montajes rápidos con punta de broca
- Atornillado de placas de cartón yeso a construcciones de madera con tornillos para montajes rápidos de rosca gruesa

La herramienta eléctrica es apta para el uso con las baterías Festool de la serie BP de la misma clase de tensión.



El usuario responderá de los daños y accidentes causados por un uso inadecuado; esto incluye también daños y desgaste por funcionamiento industrial continuo.

5 Datos técnicos

Atornillador para construcción en seco a batería	DWC 18-2500	DWC 18-4500
Tensión del motor	18 V	18 V
Número de revoluciones en vacío*	0 - 2500 min ⁻¹	0 - 4500 min ⁻¹
Par de giro blando/duro	7/18 Nm	5/14 Nm
Alojamiento de herramienta	1/4 " DIN 3126 / ISO 1173	1/4 " DIN 3126 / ISO 1173
Longitud máx. de tornillo	55 mm (2-3/16")	55 mm (2-3/16")
Peso según el procedimiento EPTA 01:2014 (con batería y cargador de tornillos)	4.4 lbs (2 kg)	
Peso sin batería	2.6 lbs (1.2 kg)	
Peso con tope de profundidad y sin batería	2.9 lbs (1.3 kg)	
Peso con cargador de tornillos y sin batería	3.5 lbs (1.6 kg)	

* Número de revoluciones con la batería totalmente cargada.

6 Componentes de la herramienta

- [1-1] Compartimento para puntas de atornillar
- [1-2] Interruptor de conexión y desconexión

- [1-3]** Interruptor de rotación a derecha/izquierda
- [1-4]** Conmutador AUTO/MAN
- [1-5]** Tope de profundidad
- [1-6]** Punta
- [1-7]** Superficies de agarre con aislamiento (zona sombreada en gris)
- [1-8]** Tecla de indicación de la capacidad en la batería
- [1-9]** Indicación de capacidad

Los accesorios representados o descritos no forman parte íntegra de la dotación de suministro.

Las imágenes con la dotación de suministro se encuentran en una hoja desplegable al comienzo de este manual de instrucciones. Cuando lea este manual, le recomendamos que despliegue esta página para disponer fácilmente de una vista general de la máquina.

7 Puesta en servicio

7.1 Cambio de la batería




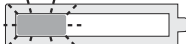
Insertar la batería [2A]

Extraer la batería [2B]

Tras la entrega, la batería está lista para el servicio inmediato y puede cargarse en cualquier momento.

7.2 Kapazitätsanzeige

Die Kapazitätsanzeige **[1-8]** zeigt bei Betätigung der Taste **[1-9]** den Ladezustand des Akkupacks für ca. 2s an:

	70-100%
	40-70%
	15-40%
	< 15% *

* **Empfehlung:** Akkupack vor weiterer Verwendung laden.



Encontrará más información sobre la batería y el cargador en el manual de instrucciones de la batería y el cargador.

8 Ajustes



PRECAUCIÓN

Peligro de lesiones

- ▶ Ajustes solo con la herramienta eléctrica desenchufada

8.1 Cambio de sentido de giro [1-3]

- Interruptor hacia la izquierda = marcha a la derecha
- Interruptor hacia la derecha = marcha a la izquierda

9 Alojamiento para herramienta, accesorios de prolongación



ADVERTENCIA

Peligro de lesiones, electrocución

- ▶ Antes de realizar cualquier trabajo en la máquina, extraiga la batería.

9.1 Portapuntas

El portapuntas permite cambiar de punta rápidamente.



PRECAUCIÓN

Peligro de lesiones por herramienta caliente y afilada

- ▶ No utilizar herramientas romas o defectuosas.
- ▶ Utilizar guantes de protección.

Montaje del portapuntas

- ▶ Poner el conmutador **[1-4]** en la posición MAN.
- ▶ Insertar el portapuntas **[3-2]** en el alojamiento de herramienta **[3-3]** hasta que quede enclavado.
- ▶ Poner la punta **[3-1]** en el portapuntas.
- ▶ A continuación, colocar el tope de profundidad en la carcasa del engranaje tal como se describe en el capítulo .

Desmontaje del portapuntas

- ▶ Retirar el tope de profundidad tal como se describe en el capítulo .
- ▶ Extraer el portapuntas del alojamiento de herramienta tirando con fuerza.

9.2 Cambio de punta

Para cambiar de punta **[1-6]** se puede utilizar el tope de profundidad **[1-5]**.

- ▶ Para ello, colocar el tope de profundidad sobre la punta tal como se muestra en la figura **[3b]**.
- ▶ La punta se puede sacar inclinando el tope de profundidad junto con la punta y tirando al mismo tiempo.
- ▶ A continuación, colocar la punta nueva en el portapuntas.

10 Trabajo con la máquina

10.1 Conexión y desconexión [1-2]

- i** La herramienta no se pone en marcha con solo pulsar el interruptor **[1-2]**. **¡No es un defecto de la herramienta!**
- i** Una vez que se ha realizado el atornillado a la profundidad deseada, la herramienta se desconecta automáticamente.

La herramienta se puede conectar de diferentes formas:

a)

- ▶ Ajustar la rotación a la derecha de la herramienta con el interruptor de derecha/izquierda **[1-3]**.
- ▶ Poner el conmutador **[1-4]** en la posición MAN.
- ▶ Para conectar la herramienta, accionar el interruptor **[1-2]** y al mismo tiempo presionar sobre el tornillo con la punta.

*Pulsando el interruptor **[1-2]** se puede modificar el número de revoluciones de modo continuo.*

b)

- ▶ Ajustar la rotación a la derecha de la herramienta con el interruptor de derecha/izquierda **[1-3]**.
- ▶ Poner el conmutador **[1-4]** en la posición AUTO.
- ▶ Para conectar la herramienta, presionar sobre el tornillo con la punta.

*No hace falta pulsar el interruptor **[1-2]**. Se ajusta automáticamente el número de revoluciones máximo.*

c)

- ▶ Ajustar la rotación a la izquierda de la herramienta con el interruptor de derecha/izquierda **[1-3]**.
- ▶ Encender la herramienta con el interruptor **[1-2]**.

El conmutador MAN/AUTO **[1-4]** puede estar en cualquiera de las dos posiciones.

*Pulsando el interruptor **[1-2]** se puede modificar el número de revoluciones de modo continuo.*

- i** El atornillador para construcción en seco gira a la izquierda con solo pulsar el interruptor **[1-2]**, sin necesidad de ejercer presión con la punta.
- i** Por lo tanto, para desenroscar tornillos no hace falta retirar el tope de profundidad.

10.2 Tope de profundidad

La profundidad de atornillado se ajusta girando el tope de profundidad **[1-5]**, tal como se muestra en la figura **[4]**. La precisión de ajuste es de $\pm 0,1$ mm, aprox.

- Giro a la izquierda El tornillo se hunde más.
- Giro a la derecha El tornillo se hunde menos.

Tras el ajuste de profundidad, realizar un atornillado de prueba y, si fuera necesario, corregir la profundidad.

Montaje del tope de profundidad

- ▶ Colocar el tope de profundidad **[5-1]** en la carcasa del engranaje **[5-2]**.
- ▶ A continuación, presionar hasta que se oiga que el tope de profundidad queda enclavado.

Desmontaje del tope de profundidad

- ▶ Tirar con fuerza para extraer el tope de profundidad de la carcasa del engranaje.

10.3 Gancho para andamios y enganche de cinturón

Mediante el enganche de cinturón **[6-1]** es posible fijar la herramienta provisionalmente a la ropa de trabajo. El enganche puede montarse a la derecha o a la izquierda de la herramienta mediante el tornillo **[6-2]**, de modo que es apto para diestros y para zurdos (véase la figura **[6]**). La herramienta está provista de un gancho **[7-1]** que sirve para colgarla ocasionalmente. El gancho puede montarse a la derecha o a la izquierda de la herramienta mediante el tornillo **[7-2]** (véase la figura **[7]**).

10.4 Cargador de tornillos

El cargador de tornillos permite trabajar de forma continua y sin pausas innecesarias.

Montaje del cargador de tornillos

- ▶ Retirar el tope de profundidad **[5-1]** del portapuntas **[3-2]** junto con la punta tal como se describe en el capítulo 9.
- ▶ Poner el conmutador **[1-4]** en la posición MAN.
- ▶ Insertar la punta larga **[8-1]** en el alojamiento de herramienta **[3-3]** hasta que quede enclavada.
- ▶ A continuación, colocar el cargador de tornillos en la carcasa del engranaje. Deberá oírse que el cargador de tornillos queda enclavado.
- ▶ El cargador de tornillos puede colocarse en incrementos de 30°.

Desmontaje del cargador de tornillos

- ▶ Tirar con fuerza para extraer el cargador de tornillos de la carcasa del engranaje.

Ajuste de la longitud de tornillo

- ▶ Pulsando la tecla **[15-1]** se puede deslizar el tope de profundidad **[13-3]** hacia dentro o hacia fuera para así ajustar la longitud de tornillo deseada.

*La longitud de tornillo ajustada puede verse en los laterales del tope de profundidad **[9-3]**.*

Colocación de las cintas de tornillos

- ▶ En primer lugar pasar la cinta de tornillos **[10-3]** por la guía inferior del cargador y luego insertarla en la guía del carro hasta que el tornillo quede encajado en su posición de trabajo.

Comprobar que la cinta de tornillos está colocada correctamente y de forma segura tirando suavemente de ella.

Comprobar si el primer tornillo se encuentra en el eje de atornillado (véase la figura **[10]**).

- ▶ Ajustar la profundidad de atornillado necesaria mediante la rueda de ajuste **[10-1]**.
- ▶ Girando a la derecha los tornillos se hundirán más, mientras que girando a la izquierda se hundirán menos. En el indicador de preselección **[10-2]** se puede ver el ajuste actual.

Una vez realizado el ajuste, realizar un atornillado de prueba y, si fuera necesario, corregir la profundidad mediante la rueda de ajuste **[10-1]**. Cada modificación del ajuste equivale a un desplazamiento del tope de $\pm 0,1$ mm.



Recomendamos atornillar en el modo automático (véase el capítulo 10.1 b).

Extracción de la cinta de tornillos

- ▶ La cinta de tornillos se extrae tirando hacia arriba (figura **[11]** ①) o accionado la palanca de transporte y tirando al mismo tiempo de la cinta hacia abajo (figura **[11]** ②).

11 Indicaciones de trabajo

- El cargador de tornillos no debe mantenerse en la zona del tope de profundidad.
- Debe completarse hasta el final cada atornillado. Interrumpir el atornillado o ejercer presión al atornillar puede causar un funcionamiento defectuoso de la herramienta.
- Las cintas de tornillos solo se deben cambiar con la herramienta parada.
- En ningún caso se debe utilizar el cargador de tornillos de forma distinta a la descrita en este manual de instrucciones.
- Utilizar exclusivamente puntas de atornillar originales.
- Utilizar exclusivamente tornillos en cinta originales.
- Conservar siempre las cintas de tornillos en el embalaje original.
- Trabajar siempre en ángulo recto respecto a la placa que se va a atornillar.

11.1 Mantenimiento del cargador de tornillos

En principio, el cargador de tornillos no requiere mantenimiento. No obstante, tras un uso prolongado se recomienda limpiarlo con aire comprimido.

El cargador de tornillos se puede lubricar en la zona de la guía del carro (véase la figura **[12]**).

Para limpiar el cargador de tornillos, se puede desmontar tal como se describe más adelante.

Antes de proceder a la limpieza, sacar la cinta de tornillos del cargador según se indica en el capítulo , apartado <Extracción de la cinta de tornillos>.


Retirar el cargador de tornillos del atornillador para construcción en seco.

Desmontaje del carro

- ▶ Introducir el tope de profundidad **[13-3]** en la carcasa hasta que la tecla de bloqueo **[13-1]** se encuentre a la altura de la marca para el desmontaje del carro **[13-2]** (véase la figura **[13]**).
- ▶ Presionar la tecla de bloqueo **[13-1]** a la vez que se extrae el carro del cargador (véase la figura **[12]**).
- ▶ Pulsar la tecla **[15-1]** a la vez que se suelta el tope de profundidad (véase la figura **[15]**).

Desmontaje de la palanca de transporte

- ▶ Pulsar la tecla [17-1] y al mismo tiempo empujar en el sentido de la flecha (véase la figura [16]).
- ▶ Extraer del carro la tecla liberada [17-1] (figura) junto con la palanca de transporte [17-3] y el muelle [17-2] (figura [17]).
- ▶ Limpiar las diferentes piezas, sustituir las que estén defectuosas o gastadas y, a continuación, montarlas en el orden inverso.

 Al volver a montar la palanca de transporte en el carro, asegurarse de que el muelle [17-2] quede colocado correctamente en la palanca. Un montaje incorrecto puede afectar al transporte de las cintas de tornillos.

11.2 Señales acústicas de advertencia

Las señales acústicas de advertencia se emiten en los siguientes estados de funcionamiento y, seguidamente, la máquina se desconecta:



peep — —

- Batería vacía o máquina sobrecargada.
- ▶ Cambie la batería.
- ▶ Cargue menos la máquina.



peep peep —

- La máquina se ha sobrecalentado.
- ▶ Una vez se haya enfriado la máquina, puede ponerla de nuevo en marcha.



peep peep peep

- La batería de Li-Ion se ha sobrecalentado o es defectuosa.
- ▶ Compruebe el funcionamiento de la batería ya enfriada con el cargador.

12 Mantenimiento y cuidado



ADVERTENCIA

Peligro de lesiones, electrocución

- ▶ Extraiga siempre la batería de la máquina antes de realizar cualquier trabajo de mantenimiento y conservación.



ADVERTENCIA

Cualquier trabajo de mantenimiento o reparación que requiera abrir el motor o la carcasa del engranaje deberá ser realizado únicamente por un Centro de Atención al Cliente (nombre proporcionado por su concesionario).

- ▶ Los trabajos de mantenimiento o reparación realizados por una persona no autorizada podrían provocar la conexión incorrecta de los conductores de alimentación u otros componentes, lo que a su vez podría provocar accidentes con consecuencias graves.



PRECAUCIÓN

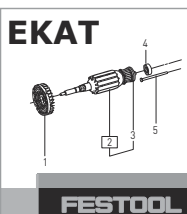
Algunos productos de limpieza y disolventes resultan perjudiciales para las piezas de plástico.

- ▶ Algunos de ellos incluyen, entre otros, gasolina, acetona, metiletilacetona (MEK) y oxidocloruro de carbono. Los productos de limpieza normalmente contienen cloro y amoníaco y los productos de limpieza del hogar contienen amoníaco.



FESTOOL

El servicio de atención al cliente y de reparaciones solo está disponible a través del fabricante o de los talleres de reparación. Dirección más cercana en: www.festoolusa.com/servicio



Utilice únicamente piezas de recambio Festool originales. Referencia en: www.festoolusa.com/servicio

A fin de garantizar una correcta circulación del aire, las aberturas para el aire de refrigeración dispuestas en la carcasa del motor deben mantenerse libres y limpias.

Mantenga siempre limpios los puntos de conexión de la herramienta eléctrica, el cargador y la batería.

Comprobar que todas las advertencias de la herramienta eléctrica sean legibles y estén completas. Reemplazar las advertencias que falten o que no sean legibles.

13 Accesorios



ADVERTENCIA

Peligro de lesiones

- Antes de llevar a cabo cualquier trabajo en la herramienta eléctrica, retirar de esta la batería.

Utilice únicamente los accesorios Festool originales y el material de consumo Festool diseñados para esta máquina, puesto que los componentes de este sistema están óptimamente adaptados entre sí. La utilización de accesorios y material de consumo de otros fabricantes puede afectar a la calidad de los resultados de trabajo y conllevar una limitación de los derechos de la garantía. El desgaste de la máquina o de su carga personal puede variar en función de la aplicación. Utilice únicamente accesorios originales y material de consumo de Festool para su propia protección y la de la máquina, así como de los derechos de la garantía.

Los números de pedido para los respectivos accesorios y herramientas se encuentran en su catálogo Festool o en la dirección de Internet "www.festoolusa.com".

13.1 SYSTAINER

Systainer

Muchos de los productos Festool se entregan en un embalaje exclusivo denominado "Systainer" que sirve de protección a la herramienta y sus complementos, además de facilitar su almacenamiento. Los Systainer pueden apilarse y encajan unos con otros. Además se adaptan sin problema a cualquier aparato de aspiración CT de Festool.

Para abrir el Systainer



Gire el T-loc **[SYS-b-1]** a esta posición.

Para cerrar el Systainer



Gire el T-loc **[SYS-b-1]** a esta posición.

Para encajar dos Systainer

Ponga el Systainer sobre un otro **[SYS a]**.

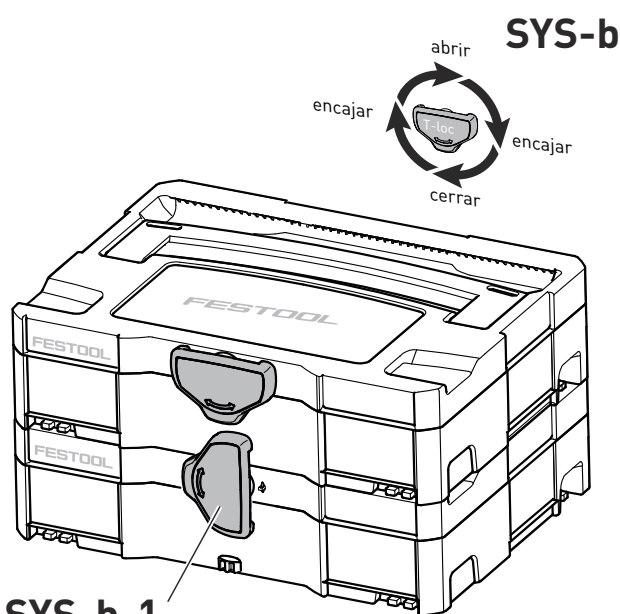
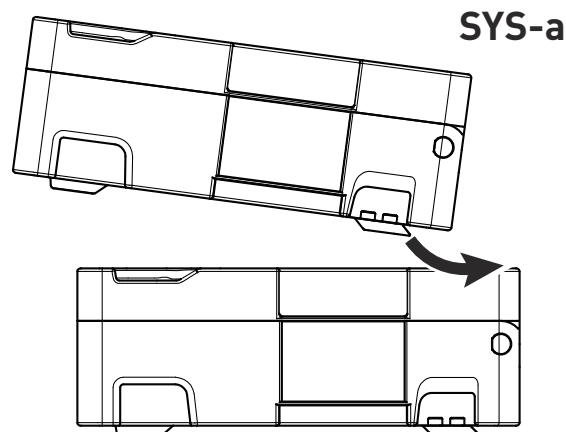


Gire el T-loc **[SYS-b-1]** a una de estas posiciones (Fig. **[SYS-b]**).

Los Systainers están encajados y cerrados.



Un Systainer de la nueva generación es encajable encima de un Systainer de la generación anterior con los cuatro enganches del Systainer anterior.



14 Medio ambiente

No deseche la herramienta junto con los residuos domésticos. Recicle las herramientas, accesorios y embalajes de forma respetuosa con el medio ambiente. Respete la normativa vigente del país.

Reciclaje de baterías



ADVERTENCIA

Riesgo de fuego o daños

- No intente desarmar la batería ni quitar ninguno de los componentes que sobresalen de las terminales de la batería.
- Antes de tirarla, proteja las terminales que están al descubierto con cinta adhesiva aislante gruesa para prevenir cortocircuitos.